

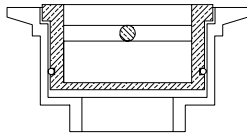
# PEM 6222

#610-5020



PEM6222

## SLIP FIT DRAIN PLUG



**PEM 6222 , Slip Fit Drain Plug** and choice of base are set flush into the pool floor. This drain plug is recommended for water depths of less than 400mm \ 16.000" at which slip in drain plugs become difficult to remove due to the water pressure. PEM 6222 Slip Fit Drain Plug is made of brass and bronze with neoprene 'O' ring slip seal.

**TO SPECIFY & ORDER: Base + Base Option + Fitting**

# PEM 6222-05 & -051

## THREADED DRAIN PLUG & Wrench

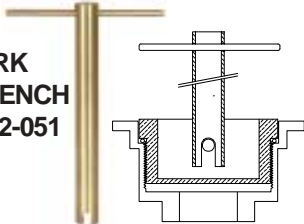
#610-5050



PEM6222-05

#610-5060

**FORK  
WRENCH  
6222-051**



**PEM 6222 - 05, Threaded Drain Plug** and choice of -05 type base are set flush into the pool floor. This threaded drain plug is a requirement for water depths greater than 400mm \ 16.000" at which slip in drain plugs become difficult to remove due to the water pressure. PEM 6222 - 05 threaded drainplug is made of brass and bronze with neoprene 'O' ring compression seal.

### PEM 6222-051, Tee Handle Fork Wrench for PEM 6222-05

The optional, made of brass, fork wrench with T handle ( PEM 6222 - 051) is supplied as standard with an overall height of 300mm \ 12.0", custom made handle lengths are available. (Some (curb stop valve) fork handles are also useable.

**TO SPECIFY & ORDER: Base + Base Option + Fitting**

# PEM 6224A

## COARSE SUCTION STRAINER

#610-6100 FOR SLIP IN BASE

#610-6150 FOR -05 SCREW IN BASE

This coarse Suction Strainer is made of perforated stainless steel, cast bronze base and cover, brass and stainless steel fitted

Suction area: 1335 cm<sup>2</sup> \ 207 square inches

Orifice size: 4.5mm \ 0.187"

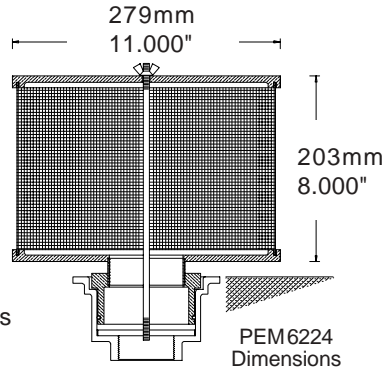
Suggest maximum flow:

300 L/min \ 80 USGPM

with 500mm \ 20" of water over fitting.

**TO SPECIFY & ORDER:**

**Base + Base Option + Fitting**



PEM6224 Dimensions



PEM6224A  
Coarse Suction Strainer

# PEM 6224B

## FINE SUCTION STRAINER

#610-6200 FOR SLIP IN BASE

#610-6250 FOR -05 SCREW IN BASE

This fine Suction Strainer is made of 41% open perforated stainless steel with cast bronze base and cover, brass and stainless steel fitted.

Suction area: 1335 cm<sup>2</sup> \ 207 square inches

Orifice size: 1.5mm \ approx.. 0.0625"

Suggest maximum flow :

95 L/min \ 25 USGPM

with 500mm \ 20" of water over fitting.

**TO SPECIFY & ORDER:**

**Base + Base Option + Fitting**

# PEM 6225A

## COARSE SUCTION STRAINER

#610-6300 FOR SLIP IN BASE

#610-6350 FOR -05 SCREW IN BASE

This coarse Suction Strainer is made of perforated stainless steel, cast bronze base and cover, brass and stainless steel fitted

Suction area:

2560 cm<sup>2</sup> \ 397 square inches

Orifice size: 4.5mm \ 0.187"

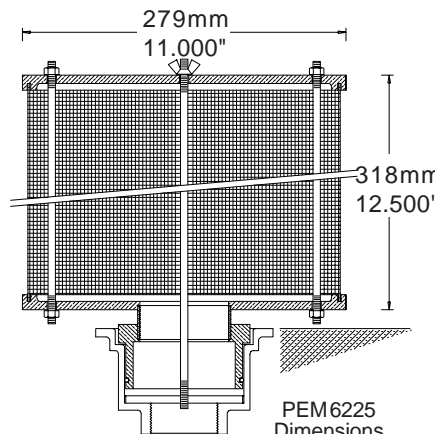
Suggest maximum flow:

530 L/min \ 140 USGPM

with 500mm \ 20" of water over fitting.

**TO SPECIFY & ORDER:**

**Base + Base Option + Fitting**



PEM6225 Dimensions

# PEM 6225B

## FINE SUCTION STRAINER

#610-6400 FOR SLIP IN BASE

#610-6450 FOR -05 SCREW IN BASE

This fine Suction Strainer is made of 41% open perforated stainless steel with cast bronze base and cover, brass and stainless steel fitted.

Suction area :2560 cm<sup>2</sup> \ 397 square inches

Orifice size :1.5mm \ approx.. 0.0625"

Suggest maximum flow :

190 L/min \ 50 USGPM

with 500mm \ 20" of water over fitting.

**TO SPECIFY & ORDER:**

**Base + Base Option + Fitting**