

PEM 6217

ANTI VORTEX SUCTION FITTING FOR SHALLOW POOLS

PEM 6217-1 #610-3700
PEM 6217-2 #610-3701

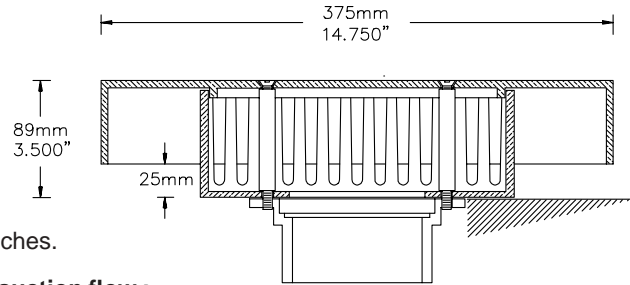
PEM 6217-1 Fitting is made of cast bronze, brass and stainless steel fasteners - factory fitted to choice of base. Suggested use is as pump suction and discharge fitting.

PEM 6217-2 Fitting is as above, but with formed plastic cover.



PEM 6217
(with 6103 Base)

TO SPECIFY & ORDER:
Base + Base Option + Fitting



Effective Open Area
: 265 cm² \ 41.1 sq. inches.

Suggested maximum suction flow :

With 150mm \ 6" water over fitting = 450 l/min \ 120 GPM

With 300mm \ 12" water over fitting = 950 l/min \ 250 GPM

With 500mm \ 20" water over fitting = 1700 l/min \ 450GPM

Width of opening slots: 9.53mm \ 0.375"

PEM 6217 Fitting is factory fitted to base:

PEM 6217V

VALVED ANTI VORTEX SUCTION FITTING

PEM 6217-1V #610-3710
PEM 6217-2V #610-3711

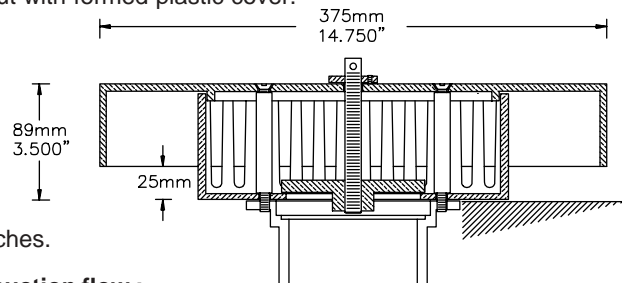
PEM 6217-1 V Fitting is made of cast bronze, brass and stainless steel fasteners - factory fitted to choice of base. Suggested use is as pump suction and discharge fitting.

PEM 6217-2 V Fitting is as above, but with formed plastic cover.



PEM 6217V
(with 6201 Base)

TO SPECIFY & ORDER:
Base + Base Option + /-6217V



Effective Open Area
: 265 cm² \ 41.1 sq. inches.

Suggested maximum suction flow :

With 150mm \ 6" water over fitting = 450 l/min \ 120 GPM

With 300mm \ 12" water over fitting = 950 l/min \ 250 GPM

With 500mm \ 20" water over fitting = 1700 l/min \ 450GPM

Width of opening slots: 9.53mm \ 0.375"

PEM 6217V Fitting is factory fitted to base.

The flow regulating valve has a lockable rising stem and is used to balance flow if several fittings are used on a non balanced flow manifold.

PEM 6218

WINTER COVER FOR FITTING

#610-3800

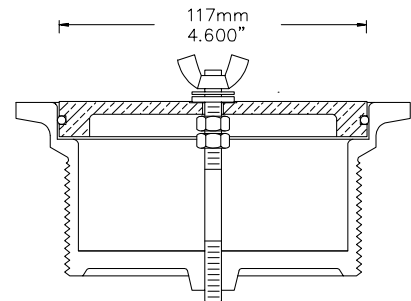
PEM 6218 Fitting is made of cast bronze and copper with brass center rod and stainless steel fastener. Suggested use is to seal **PEM Bases** in colder climates to prevent entry of water that could cause freeze damage.



PEM 6218

This cover is not recommended for use as drain plug.

TO SPECIFY & ORDER:
Base + Base Option + Fitting



The drawings on this page show a base, which is not included in fitting option. BASE, BASE-OPTION & FITTING TO BE ORDERED TOGETHER AS REQUIRED BUT ACCOUNTED FOR SEPARATELY.