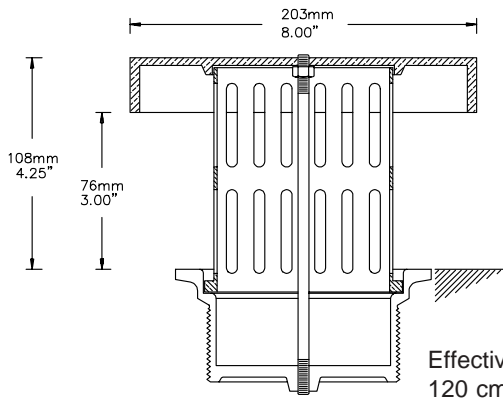


BASE, BASE-OPTION & FITTING TO BE ORDERED TOGETHER AS REQUIRED BUT ACCOUNTED FOR SEPARATELY. The drawings on this page show a base, which is not included in fitting option.



TO SPECIFY & ORDER :
Base + Base Option + Fitting

ANTI VORTEX SUCTION FITTING **PEM 6216A**

PEM 6216-1A Fitting is made of cast bronze and copper, brass and stainless steel fitted.

PEM 6216-2A Fitting as above but with formed plastic cover

Suggested use is as suction fitting in deep pools.

Effective Open Area:

120 cm² \ 18.6 sq. inches

Suggested maximum flow :

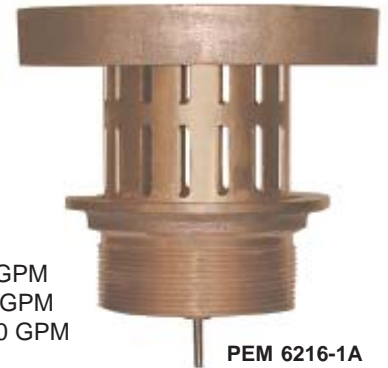
With 400mm \ 16" water over fitting = 454 l/min \ 120 GPM

With 500mm \ 20" water over fitting = 567 l/min \ 150 GPM

With 800mm \ 32" water over fitting = 1135 L/min \ 300 GPM

Width of slots : 9.53mm \ 0.375"

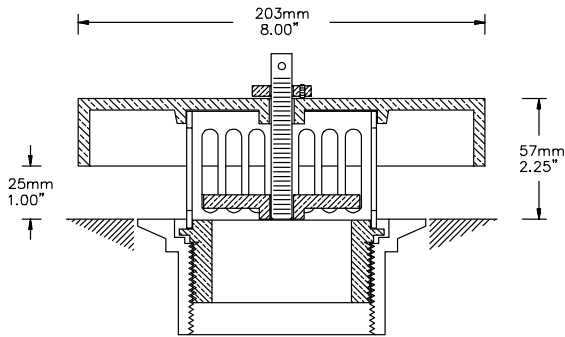
PEM 6216-1A #610-3610
PEM 6216-2A #610-3611



PEM 6216-1A

VALVED ANTI VORTEX SUCTION FITTING

Valve has a lockable rising stem. As the fitting screws into the base, the same must have the -05 'Threaded Top' option.



Suggested use is as flow adjustable suction fitting in non-balanced flow manifold to equalize suction.

TO SPECIFY & ORDER : Base + Base Option + Fitting

PEM 6216-1V-05 Fitting is made of cast bronze and copper, brass and stainless steel fitted.

PEM 6216-2V-05 Fitting as above but with formed plastic cover

Effective Open Area:

60 cm² \ 9.3 sq. inches

Suggested maximum flow :

With 100mm \ 4" water over fitting = 189 l/min \ 50 GPM

With 150mm \ 6" water over fitting = 227 l/min \ 60 GPM

With 300mm \ 12" water over fitting = 302 l/min \ 80 GPM

With 400mm \ 16" water over fitting = 454 l/min \ 120 GPM

With 500mm \ 20" water over fitting = 567 l/min \ 150 GPM

Width of slots : 9.53mm \ 0.375"

PEM 6216V-05

PEM 6216-1-05 V #610-3630

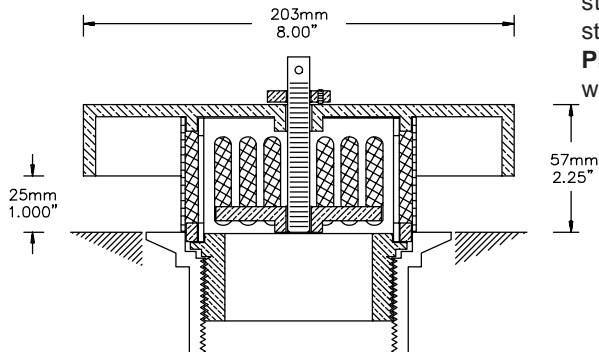
PEM 6216-2-05 V #610-3631



PEM 6216-1V-05

VALVED ANTI VORTEX FITTING WITH EXTRA STRAINER

Valve has a lockable rising stem. As the fitting screws into the base, the same must have the -05 'Threaded Top' option.



Suggested use is as flow adjustable suction fitting in non balanced flow manifold to equalize suction in pools filled with stones and/or aquatic life.

TO SPECIFY & ORDER : Base + Base Option + Fitting

PEM 6216-1VS-05 Fitting is made of cast bronze and copper with perforated stainless steel strainer, brass and stainless steel fitted.

PEM 6216-2VS-05 Fitting as above but with formed plastic cover

Effective Open Area:

100 cm² \ 15.5 sq. inches

Suggested maximum flow :

With 100mm \ 4" water over fitting = 95 l/min \ 25 GPM

With 150mm \ 6" water over fitting = 189 l/min \ 50 GPM

With 300mm \ 12" water over fitting = 227 l/min \ 60 GPM

With 400mm \ 16" water over fitting = 302 l/min \ 80 GPM

With 500mm \ 20" water over fitting = 454 l/min \ 120 GPM

Strainer openings are 4.5mm \ 0.187"

PEM 6216VS-05

PEM 6216-1-05 V #610-3650

PEM 6216-2-05 V #610-3651



PEM 6216-1VS-05