

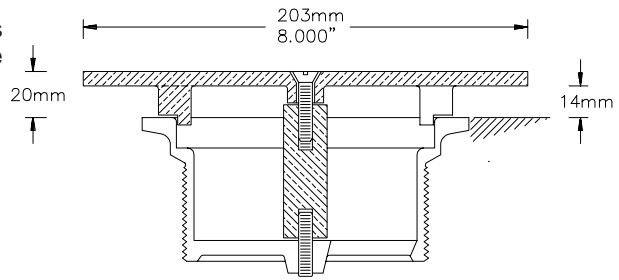
PEM 6215 ANTI VORTEX SUCTION OR DISCHARGE FITTING FOR VERY SHALLOW POOLS.

#610-3500

PEM 6215 Fitting is made of cast bronze with brass center rod and stainless steel fastener. Suggested use is for shallow pools as suction or discharge fitting.



PEM 6215



Effective Open Area: 76 cm² \ 11.9 sq. inches

Suggested maximum flow:

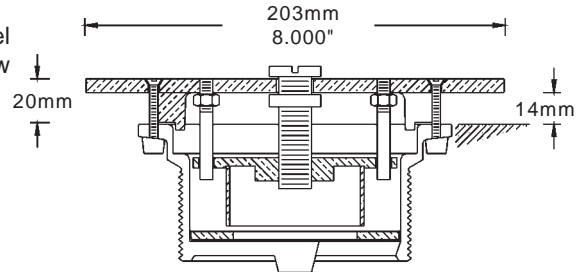
- With: 100mm \ 4" water over fitting = 76 l/min \ 20 GPM
 - With 150mm \ 6" water over fitting = 113 l/min \ 30 GPM
 - With 200mm \ 8" water over fitting = 151 l/min \ 40 GPM
- Width of opening: 14mm \ 0.56"**

TO SPECIFY & ORDER :
Base + Base Option + /-6215

PEM 6215V VALVED ANTI VORTEX SUCTION OR DISCHARGE FITTING FOR VERY SHALLOW POOLS

#610-3510

PEM 6215V Fitting is made of cast bronze, brass and stainless steel fasteners - factory fitted to choice of base. Suggested use is for shallow pools as suction or discharge fitting



Effective Open Area : 76 cm² \ 11.9 sq. inches

Suggested maximum flow:

- With: 100mm \ 4" water over fitting = 76 l/min \ 20 GPM
 - With 150mm \ 6" water over fitting = 113 l/min \ 30 GPM
 - With 200mm \ 8" water over fitting = 151 l/min \ 40 GPM
- Width of opening : 14mm \ 0.56"**

Flow regulating valve has non-rising stem and is used to balance flow if several fittings are used on a non balanced flow manifold.

TO SPECIFY & ORDER :
Base + Base Option + Fitting

PEM 6215V Fitting is factory fitted.

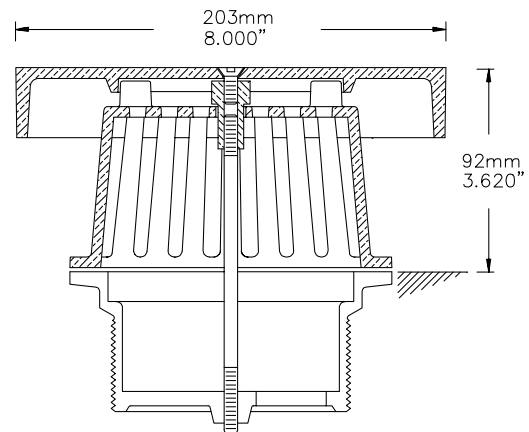
PEM 6216 ANTI VORTEX SUCTION FITTING

PEM 6216-1 #610-3600
PEM 6216-2 #610-3601

PEM 6216-1 Fitting is made of cast bronze, brass center rod and stainless steel fitted. Suggested use is for shallow pools as suction or discharge fitting.
PEM 6216-2 Fitting as above but with formed plastic cover



PEM 6216-1



Effective Open Area : 145 cm² \ 22.5 sq. inches

Suggested maximum flow :

- With: 100mm \ 4" water over fitting = 189 l/min \ 50 GPM
 - With 150mm \ 6" water over fitting = 227 l/min \ 60 GPM
 - With 300mm \ 12" water over fitting = 302 l/min \ 80 GPM
 - With 400mm \ 16" water over fitting = 454 l/min \ 120 GPM
 - With 500mm \ 20" water over fitting = 567 l/min \ 150 GPM
- Width of slots 9 mm \ 0.354"**

TO SPECIFY & ORDER :
Base + Base Option
+Fitting

Fitting is factory fitted.