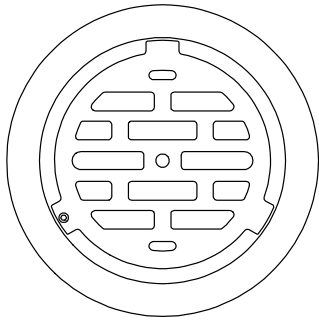
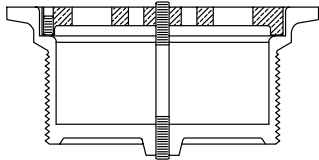


The drawings on this page show a base, which is not included in fitting option.

152mm
6.000"



116mm
4.560"



SURFACE DRAIN

PEM 6212

#610-3300

PEM 6212 Drain Fitting is made of cast bronze with brass center rod and stainless steel set screw.

Effective Open Area:
41.4 cm² \ 6.2 sq. inches

Suggested maximum flow:
With 500mm \ 20" water over fitting
= 150 l/min \ 40 GPM

When used as suction fitting,
vortexing is normal.

Due to its center support, the drain grate has increased load bearing capacity.



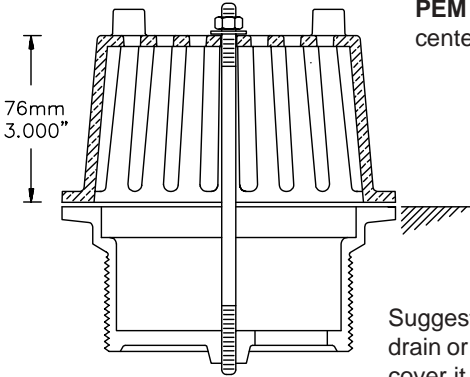
PEM 6212

The grate is vandal resistant, as it is screwed into position and locked with set screw.

TO SPECIFY & ORDER : Base + Base Option + Fitting

BASE, BASE-OPTION & FITTING TO BE ORDERED TOGETHER AS REQUIRED BUT ACCOUNTED FOR SEPARATELY.

152mm
6.000"



76mm
3.000"

BALANCING PIPE INTAKE LEAF, PLANTER OR UNDERDRAIN

PEM 6214

#610-3400

PEM 6214 Fitting is made of cast bronze, brass center rod and stainless steel fitted.

Effective Open Area :
145 cm² \ 22.5 sq. inches

Suggested maximum flow :
With 500mm \ 20" water over fitting
= 470 l/min \ 120 GPM

Width of slots : 9 mm \ 0.354"

Suggested use is for balancing pipe intake, hidden drain or leaf drain. With additional screening and gravel cover it is an ideal planter drain or under drain. When used as suction fittings, vortexing is normal.

Fitting is factory fitted.



PEM 6214

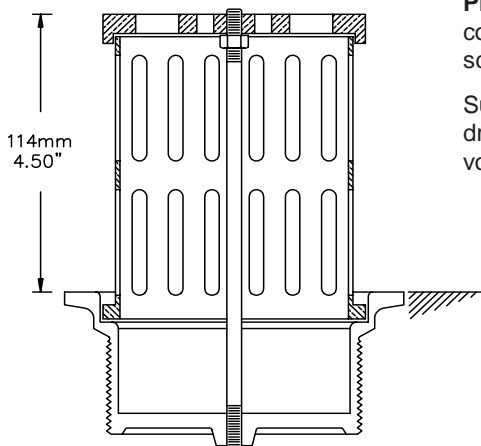
TO SPECIFY & ORDER : Base + Base Option + Fitting

LARGE CAPACITY BALANCING PIPE INTAKE ALSO LEAF, PLANTER OR UNDER DRAIN

PEM 6214A

#610-3410

120mm
4.72"



114mm
4.50"

PEM 6214A Drain Fitting is made of cast bronze and copper with brass center rod and stainless steel set screw.

Suggested use is for balancing pipe intake, hidden drain or leaf drain. When used as suction fittings, vortexing is normal.

Effective Open Area:
155 cm² \ 24 sq. inches

Suggested maximum flow:
With 610mm \ 24" of water over fitting
= 950 l/min \ 250 GPM

Slot width : 9.53mm \ 0.375"



PEM 6214A

TO SPECIFY & ORDER : Base + Base Option + Fitting