

FOR 6200 SERIES FITTINGS

PEM 6090

ONE PIECE CAST BRONZE BASES & BASE OPTIONS

PEM 6090 Series, all cast bronze bases are designed for the mounting of **PEM 6200 Series** pool, drain and suction fittings. The bases are made of 85/5/5/5 cast bronze (B - Metal). The durability of this bronze is well known.

All pipes connecting into these bases to be of non corrodible material or plastic. As cement bonds well to clean natural cast bronze surfaces of the bases, normally no other no leak devices are required on the pipes connecting into these bases.

To specify & order a complete fixture:

Base + Option + Fitting

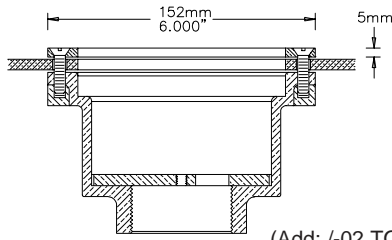
Example:

To order PEM 6093, with 02 membrane clamp and 6212 Fitting:

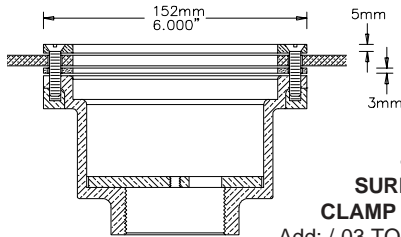
Specify : 6093/-02/-6212

STANDARD BASE (SLIP IN TOP)

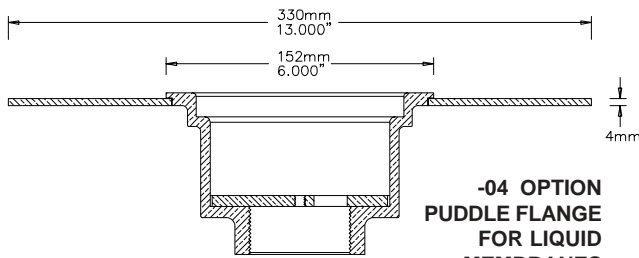
Pictures show Base with Liner Clamp



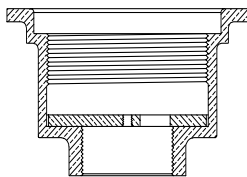
**-02 OPTION
SURFACE
MEMBRANE
CLAMP**
(Add: /-02 TO # OF BASE)



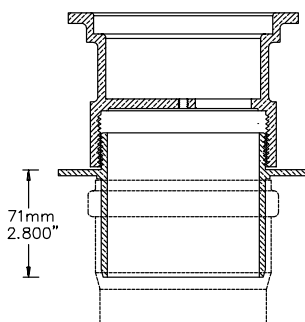
**-03 OPTION
SURFACE LINER
CLAMP W. GASKET**
(Add: /-03 TO # OF BASE)



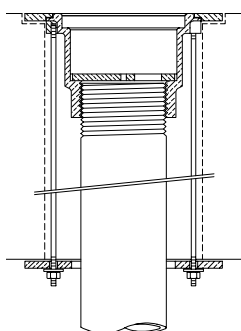
**-04 OPTION
PUDDLE FLANGE
FOR LIQUID
MEMBRANES**
(Add: /-04 TO # OF BASE)



**-05 OPTION
THREADED TOP**
(Add: /-05 TO # OF BASE)

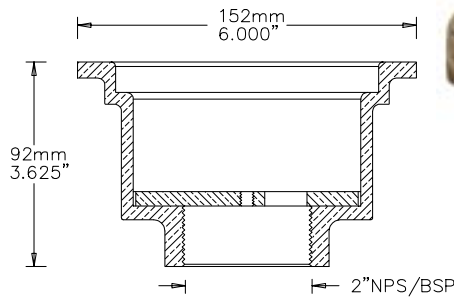


**-007 OPTION
4" BSP/NPS ADAPTER
FOR PEM 6094 BASE
FOR DIN 19534 PVC
PIPE WITH DIN 4060
LIP SEALS
(DN :100mm)**
(Add: /-07 TO # OF BASE)

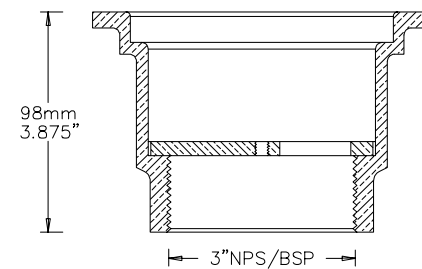


**-008 OPTION
UNDERDECK CLAMP**
(Add: -08 TO # OF BASE
FOR STANDARD SLAB
THICKNESS OF:
150mm\6" to 200mm\8"
Custom made
for other slab thickness.

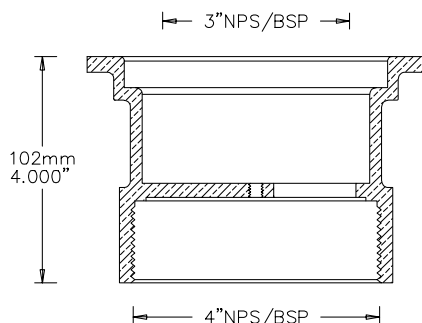
**O.D. of Base & Clamp:
190mm\7.5"
I.D. of Opening in
concrete: 150mm\6"**



**PEM 6092
#602-2000**



**PEM 6093
#602-3000**



**PEM 6094
#602-4000**