

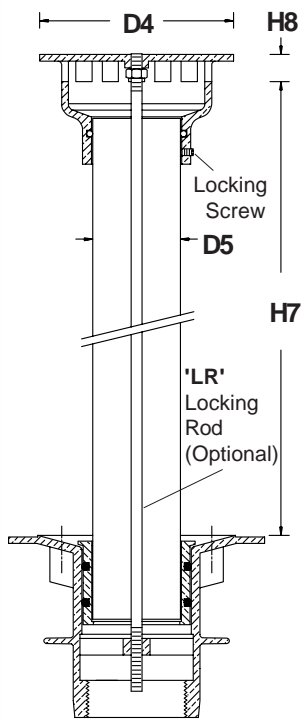
# PEM METRIC POOL DRAINS & OVERFLOWS FOR DIN SIZE PVC PIPE

## 6015 / 6016 Series

# 602 - 5000  
# 602 - 6000

PEM 6015 and 6016 Bases are designed for direct fit into type DIN 19 534 PVC Pipe with DIN 4060 Lip Seals. Fittings of same size are interchangeable on same size base, the liner clamp can be added where required. The Bases, Clamps, Gratings, Overflow Crown and Plugs are made of cast bronze, 85/5/5/5 copper alloy, the stand pipe and all fasteners are made of stainless steel, Flange Gasket is of Neoprene and DIN ISO 36 'O' ring seals are made of Buna-N.

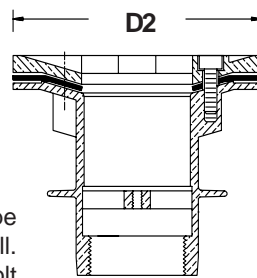
### Base with 'LR' Overflow Standpipe



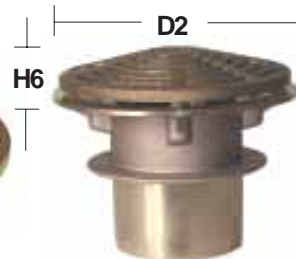
PEM #	DESCRIPTION	
<b>6015</b>	<b>602-5100</b>	<b>Fixture Base for 2" BSP &amp; Fixture Base for 75mm DIN PVC Pipe*</b>
6015-1	602-5010	Liner Clamp & Gasket
6015-3	602-5030	Cast Bronze Debris Grating
6015-4	602-5040	0.5m high x 50mm Overflow Standpipe
6015-5	602-5050	1.0m high x 50mm Overflow Standpipe
6015-6	602-5060	Bronze Drain Plug for 50 / 75mm Base
<b>6016</b>	<b>602-6000</b>	<b>Fixture Base for 100mm DIN PVC Pipe*</b>
6016-1	602-6010	Liner Clamp & Gasket
6016-3	602-6030	Cast Bronze Debris Grating
6016-4	602-6040	0.5m high x 76mm Overflow Standpipe
6016-5	602-6050	1.0m high x 76mm Overflow Standpipe
6016-6	602-6060	Cast Bronze Drain Plug for 100 mm Base

Fixture Base and Fittings must be ordered together and are accounted for separately. \* To insert into Pipe

### BASE WITH LINER CLAMP

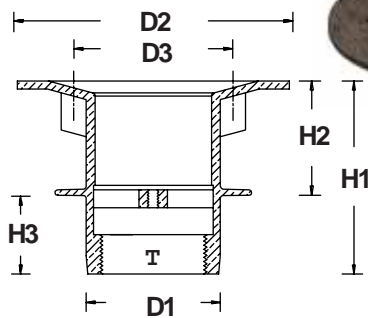


### BASE WITH DEBRIS GRATE



Standpipes are equipped with double 'O' ring seal base. To adjust standpipe to a lower level, saw pipe off, bevel and smooth saw cut with file and reinstall. The drain bases can accommodate PEM 6200 Series Fittings with center bolt mounting such as PEM 6214/16. Most Fittings (Other than Liner Clamps) are interchangeable for replacement of similar ones of other make.

### Base



### LINER CLAMP & GASKET for PEM Bases



Overflow Standpipes can be made **VANDAL RESISTANT** with locking rod (Optional & Extra) bolted to base, that requires the loosening of the lockscrew in the crown fitting, unscrewing of the same before the stand pipe can be removed from base. **To order add 'LR' to catalog # of Overflow Stand Pipe also specify exact depth of water !**

### DIMENSIONS

PEM T (BSP)	6015 2" mm	6016 - mm	60154 - mm	60155 - mm	60164 - mm	60165 - mm
H1	108	136				
H2	64	67				
H3	44	69				
H4	11	15				
H5	7	9				
H6	24	32				
H7	-	-	500	100	500	1000
H8	-	-	10-20	10-20	10-25	10-25
D1	75	10				
D2	152	200				
D3	89	127				
D4	-	-	115	115	160	160
D5	-	-	52	52	76	76

### Base with Drain Plug

