

PEM 108-210 is made of cast bronze and brass and is stainless steel fitted.

PEM 108 - 210 Columnar Spray Effect Assembly is designed to provide a near solid 250mm \ 10.0" diam. columnar spray effect made up of many clear streams of water for various sprayheights. In the upper range of the suggested spray performances the streams tend to break up giving the spray effect a feathered column like appearance.

PERFORMANCES

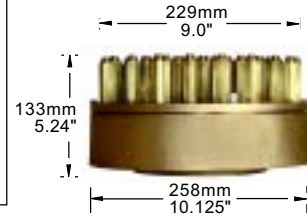
| V | FL | MC |
|-----|------|-----|
| m | L | m |
| 1.0 | 568 | 1.6 |
| 2.0 | 739 | 3.1 |
| 3.0 | 943 | 4.3 |
| 4.0 | 1098 | 5.5 |
| 5.0 | 1306 | 7.1 |
| 6.0 | 1424 | 8.3 |
| Ft | G | Ft |
| 8 | 225 | 12 |
| 10 | 249 | 14 |
| 15 | 317 | 20 |
| 20 | 376 | 27 |

DIMENSIONS:

| | |
|----|-----------------|
| OX | 229mm \ 9.0" |
| OV | 133mm \ 5.24" |
| OD | 258mm \ 10.125" |
| T | 4.0" |
| Y | 57 |
| SS | 3mm \ 0.125" |

#506-2100

PEM 108-210
COLUMNAR SPRAYHEAD



PEM 108-210 Side View



PEM 108-210 Top View

PEM 108 - 375 is made of cast bronze brass and is stainless steel fitted.

PEM 108 - 375 Columnar Spray Effect Assembly is designed to provide a narrow, hollow, columnar spray effect made up of many clear streams of water for low to intermediate sprayheights.

In the upper range of the suggested spray performances the streams tend to break up giving the spray effect a candle like appearance. Due to the break up of the spray at greater sprayheights, the use of a PEM Wind Control is advisable.

For greater sprayheights , the slightly larger PEM 108-376 could be suggested, pressure requirements are slightly lower than for this assembly due to the larger size pipe connection.

The pressure ratings (MC) given are pressures at the spray nozzles.



108-375 Columnar Fountain Sprays

PERFORMANCES :

| V | FL | MC |
|-----|------|-----|
| m | L | m |
| 2.0 | 881 | 4.0 |
| 3.0 | 1100 | 5.4 |
| 4.0 | 1268 | 6.8 |
| Ft | G | Ft |
| 5 | 190 | 11 |
| 10 | 290 | 17 |
| 15 | 360 | 27 |

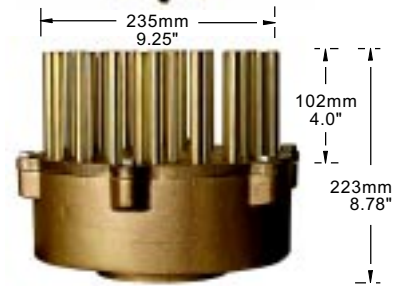
DIMENSIONS:

| | |
|----|----------------|
| OX | 235mm \ 9.25" |
| OV | 223mm \ 8.78" |
| OD | 293mm \ 11.53" |
| T | 4" |
| Y | 36 |
| SS | 4.5mm \ 0.187" |

#506-3750

PEM 108-375
COLUMNAR SPRAYHEAD

For Performance beyond the above, see PEM 108-376.



PEM 108 - 376 is made of cast bronze and brass and is stainless steel fitted.

PEM 108 - 376 Columnar Spray Effect Assembly is designed to provide a narrow columnar, hollow, spray effect made up of many clear streams of water for intermediate to greater sprayheights. In the upper range of the suggested spray performances the streams tend to break up giving the spray effect a candle like appearance.

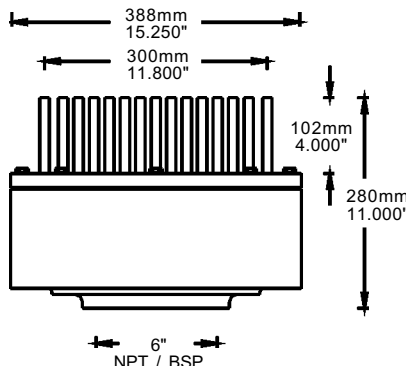
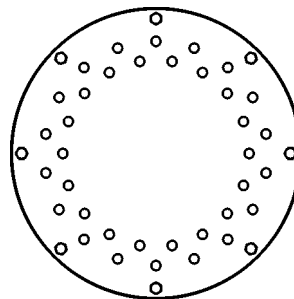
Due to the break up of the spray at greater sprayheights, the use of a PEM Wind Control is advisable.

For lower sprayheights , the slightly smaller PEM 108-375 could be suggested , pressure requirements are slightly higher than for this assembly due to the smaller size pipe connection.

The pressure ratings (MC) given are pressures at the spray nozzles.

PERFORMANCES

| V | FL | MC |
|------|------|------|
| m | L | m |
| 4.0 | 1268 | 6.4 |
| 5.0 | 1450 | 7.9 |
| 6.0 | 1590 | 8.9 |
| 7.0 | 1790 | 10.6 |
| 8.0 | 1884 | 11.9 |
| 9.0 | 2006 | 13.2 |
| 10.0 | 2130 | 14.4 |
| 12.0 | 2385 | 17.1 |
| 15.0 | 2673 | 21.0 |
| 18.0 | 2970 | 26.0 |
| Ft | G | Ft |
| 15 | 360 | 24 |
| 20 | 420 | 29 |
| 25 | 480 | 39 |
| 30 | 530 | 43 |
| 35 | 580 | 49 |
| 40 | 630 | 56 |
| 50 | 707 | 68 |
| 60 | 785 | 85 |



#506-3760

PEM 108-376
COLUMNAR SPRAYHEAD



DIMENSIONS:

| | |
|----|----------------|
| OX | 300mm \ 11.8" |
| OV | 280mm \ 11.0" |
| OD | 388mm \ 15.25" |
| T | 6.0" |
| Y | 36 |
| SS | 4.5mm \ 0.187" |

For Performances below 4.0m \ 15Ft.
Suggest use of PEM 108-375 with 4" pipe connection.