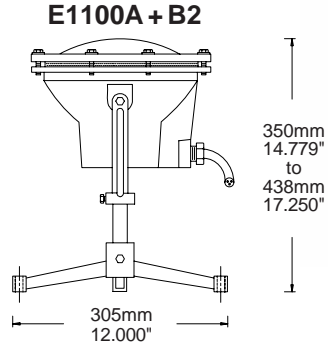
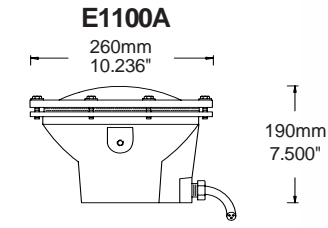


12 VAC, Color Changing
 Multiple MR 16, 50W Color Lamps
 Custom made to given specifications.

SUBMERSIBLE LIGHTFIXTURE **PEM E1100**

PAR 64 Lamps, 1000W - 120V & 1KW - 240V
12 VAC SPECIALTY OR MULTIPLE LAMPS



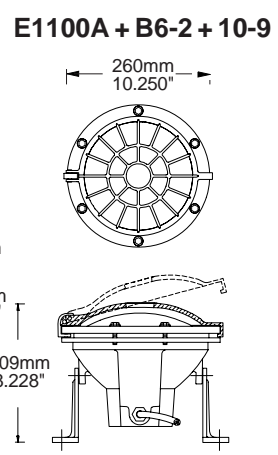
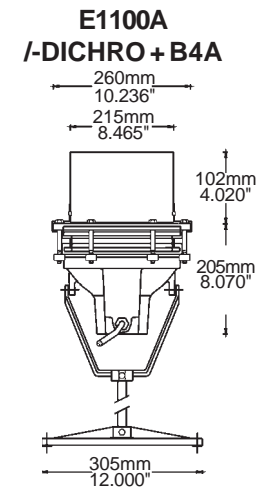
E1100A-0904-05-B4A
 with Dichro Lens Adapter,
 Lens & Lens Shade



E1100A-0904-B4A
 with Dichro Lens Adapter & Lens



E1100A/B2



APPROVALS
 CSA & UL, 120V, 1000W
 CS, 240V, 1KW.

E1100A + B70A
 Walk Over Niche Mounting



LAMPS: OPTIONAL
 PAR 64, max. 120V & 240V, 1000W, Sealed Beam Lamps, Base (GX16d)

CONSTRUCTION OF LIGHTFIXTURE:

HOUSING & FACERING:
 Cast bronze (85/5/5/5 Copper Alloy). Stainless Steel fitted.
 Facering has cast in tightening torque specification for facering bolts.

LAMP CONNECTOR & HOLDER :
 120V / 240V : Ceramic, Mogul PAR connector GX 16d (flat pins) with high temperature leads.

LAMP LOCATOR CLIPS: Lamp is held by (3) spacing clips under lens gasket
LENS: 213mm / 8.375" diameter. **See page 310 .**
STANDARD: Convex clear or in 5 colors.

OPTIONAL:
CONVEX DICHRO COLOR LENS, Choice of 10 colors.
ADAPTER -0904 required for Flat Lens. Not for use with niche B70A.
 Cast bronze. Stainless Steel fitted with silicon rubber gasket.
 Requires stand assembly B4A to carry added weight.
 Increases installation height of B 69A niche mountings.

FLAT CLEAR LENS. FLAT DICHRO COLOR LENS. Choice of 10 colors.
DICHROIC LENS SHADE: -0-5 Required for clean (color) illumination.

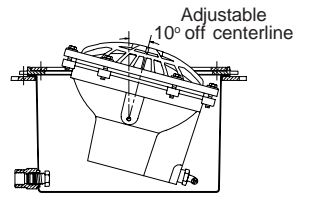
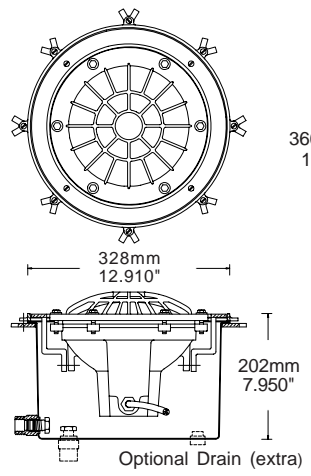
LENS & LENS ADAPTER GASKETS:
 Custom molded U shaped made of high temperature silicone rubber.
CABLE:

Approved for the purpose electrical cable with epoxy encapsulated compression type cable entry into housing.

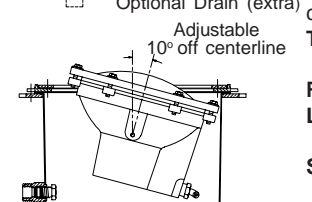
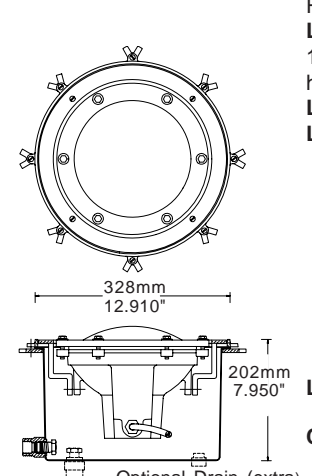
THERMAL CUT - OFF: OPTIONAL.
 Factory installed integral thermal cut off for 120V
ROCKGUARD: OPTIONAL.

LENSGUARD, PART OF FACERING: OPTIONAL.
 Must be used if required with Niche B69A. Optional for all others.
STAND OR MOUNTING ASSEMBLY: OPTIONAL.

E1100A + 10-8 + B69A
 IN FLOOR / WALL NICHE



E1100A + B69A
 IN FLOOR / WALL NICHE



PEM E1100

2006-10

	SERIAL	PEM	CABLE	W.
	329-0000	Cat.	Length & Size	Kg
	FOR PAR 64, max. 1000W, 120V LAMPs (not Included)			
	E 1100 FIXTURE W. CONVEX LENS, NO STAND, NO CABLE			
 E1100A	329-4001	E1100A-01	PAR64, 240V with 3x 1.5mm2 cordseal	No Cable 8.6
	329-4011	E1100A-02	2 x 120V on 240V w. 2x 3 x 1.5mm2 cordseals	No Cable 8.7
	E 1100 FIXTURE W. CONVEX LENS, NO STAND, WITH CABLE			
 E1100A + 10-9	329-1001	E1100A-1-1	PAR64, 120V, max. 1000W, UL	2.7m (9') x 16/3 9.1
	329-1002	E1100A-1-2	PAR64, 120V, max. 1000W, UL	2.7m (9') x 12/3 9.1
	239-1005	E1100A-1-3	PAR64, 120V, max. 1000W, CSA	2.7m (9') x 16/3 9.1
	329-4002	E1100A-1-5	PAR64, 120/240V, max. 1000W	2.7m x 3 x 2.5mm2 9.1
	329-4003	E1100A -1-6	PAR64, 120/240V, max. 1000W	5.0m x 3 x 2.5mm2 9.6
	329-4012	E1100A-2-5	For pairing of 2x120V on 240V with -1-5/6 above	2.7m x 3 x 1.5mm2 9.2
	329-4013	E1100A-2-6	For pairing of 2x120V on 240V with -1-5/6 above	5.0m x 3 x 1.5mm2 9.7
	In-fixture cable pairing in factory only, otherwise in-junction box pairing			
	For custom cable size, length & pairing please enquire			
			ADD ON TO STANDARD FIXTURES	
	391-3001	+/-30-3	213mm Clear Flat Lens	Cat. Page 310/Web INDEX 6 1.1
	391-3000	+/-35-3-0000	213mm Flat Dichro Color Lens	Cat. Page 310/Web INDEX 6 1.1
	391-0724	+/-0904	Flat Lens Adapter, Requires B4A Yoke/Stand	Cat. Page 310/Web INDEX 6 3.2
	359-0000	+/-9 / -94(D)	Dichro Lens Shade (Clip On)	0.5
	350-1111	+/-2A	2. Cable entry, 3x1.5mm2 or 3x2.5mm2 cable	(2 x 120V Lamps on 240V) 0.1
	350-0003	+/-07	Thermal Cut Off for single 120 / 240V only	Factory wired only 0.1
	350-0014	+/-10-3	Bolt On Rock Guard	3.0
	350-0026	+/-10-9	Swing Up Rock Guard	2.0
	350-0035	+/-10-8	Lensguard (In Addition To Lightfixture Only)	3.5
 E1100A + B4	350-0290	+/-B7	Yoke	1.0
 E1100A-0904 + B4A	350-0295	+/-B7A	Heavy Duty Yoke (For Flat Lens Adapter)	2.1
	350-0270	+/-B6-2	B6-2 Brackets	2.0
	350-0140	+/-B2	B2, Tripod Stand	33 to 40cm Water Depth 2.2
	350-0200	+/-B4	B4 Ring Stand	33 to 40cm Water Depth 3.5
	350-0220	+/-B4A	Heavy Duty B4A Ring Stand	0.5 / 1.0m Water Depth 4.5
	350-4062	+/-B69-1A	B69A-1 Stainless Steel Niche	Requires extra cable length 9.5
 E1100A + B30-1	350-4660	+/-58-06	58-06 Tile Mask	2.3
	350-4081	+/-B70A	B70A Walk Over Stainless Steel Niche	Requires extra cable length 11.5
	350-2510	+/-B76	B76 Walk Over Slab Hanger	Requires extra cable length 6.5
 E1100A + B69-1A	350-2520	+/-B76A	B76A Slab Hanger w. locks	7.2
	350-0320	+/-B30-0	B 30 Niche, Side Conduit, Brass fitted	Requires extra cable length 3.7
	350-0321	+/-B30-1	B 30 Niche, Side Conduit, St.St. fitted	Requires extra cable length 3.7
	350-0324	+/-B30-4	B 30 Niche, Bottom Conduit, Brass fitted	Requires extra cable length 3.7
 E1100A + B69-1A+10-8	350-0325	+/-B30-5	B 30 Niche, Bottom Conduit, St.St. fitted	Requires extra cable length 3.7