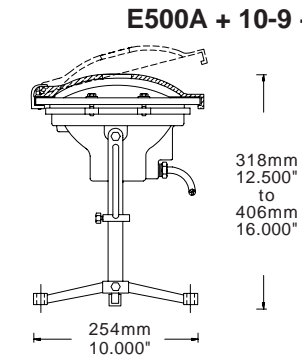


PEM E 500A or 600A
 Lightfixtures are available: For custom fitting of
 LED Illumination on PAR 56 Size Plates,
 PAR 56 Size Strobes or PAR 56 HID Lamps
 Please enquire.

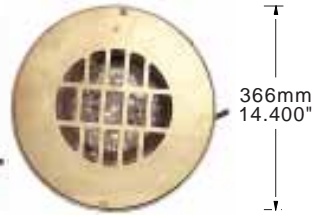
SUBMERSIBLE LIGHTFIXTURE PEM E500

For PAR 56 Lamps, 240V / 120V / 24V & 12V
 WATTAGE & LIGHT OUTPUT AS PER LAMPS TO BE USED



APPROVALS :
CSA, 120 / 24 & 12V
 excluding -2
CE, 12V
 excluding -2
CS, 240 / 24 & 12V
 excluding -2
UL, 120 / 24 & 12V
 excluding -2

E500A + B70A
 Walk Over Niche Mounting



LAMPS: OPTIONAL. See page 307.
120V & 240V, PAR56 Sealed Beam Lamps, Base (GX16d).
 120V - 300W & 500W & 240V - 300W. 240V - 500W by PEM.
12V & 24V, PAR56 Sealed Beam Lamps, Screw Connections.
 24V - 250W by PEM, 12V - 120W, 240W & 300W.

CONSTRUCTION OF LIGHTFIXTURE:
HOUSING & FACERING:
 Cast bronze (85/5/5/5 Copper Alloy) Stainless Steel fitted.
 Facering has cast in tightening torque specification for facering bolts.

CABLE:
 Approved for the purpose electrical cable with epoxy encapsulated .
 compression type cable entry into housing. See page 308 & 309.

LAMP CONNECTOR:
 120V / 240V : Ceramic Mogul PAR connector GX 16d (flat pins) with
 high temperature leads and (3) holding clamps.
 12V & 24V : Fork Connectors and (3) holding clamps.

LENS: 213mm / 8.375" Diameter. See page 310.
STANDARD: Convex cast glass, heat resistant and tempered.
 Clear or 5 colors.
OPTIONAL: Convex Dichro Colour Lens, in 10 colours
OPTIONAL: Lens Shade for Dichro Colour Lens

LENS GASKET:
 Custom molded U shape made of material approved for the application.

THERMAL CUT - OFF: OPTIONAL
 Factory installed integral thermal cut off for 240V, 120V, 24V & 12V.

ROCKGUARD: OPTIONAL.

LENSGUARD, PART OF FACERING: OPTIONAL.

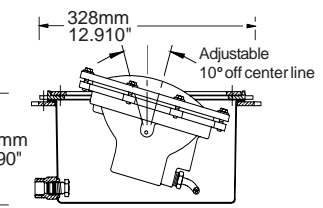
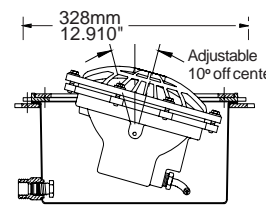
Must be used with vertical mounted Niche B69. Optional for all others.

STAND OR MOUNTING ASSEMBLY: OPTIONAL.

E500A + 10-8 + B69
 Niche Mounting



E500A + B69
 Niche Mounting



PEM E500

	SERIAL	PEM		CABLE	W.
	316-20000	Cat.	FOR PAR 56 LAMPS (Not Included)	Length & Size	Kg
			Select cable size to suit lamp wattage (Amperage)		
			FIXTURE, CONVEX LENS, NO STAND, NO CABLE FOR:		
			E500-2 Standard,external cordseal, cable sealing chamber		
E500A-2	316-20021	E500A-2-01	For PAR 56, 12/24V, max. 300W, 23 A.	For 2 x 4mm ² Cable	5.4
	316-20022	E500A-2-02	For PAR 56, 12/24V, max. 300W, 30A.	For 2 x 6mm ² Cable	5.6
	316-20023	E500A-2-03	For PAR 56, 240V, max. 500W, 5A	For 3 x 1.5mm ² Cable	5.3
			E500-2 CSA, No cable, no cable sealing chamber		
E500A-2A	316-20031	E500A-3-01	For PAR 56, 12/24V, max. 300W, 23 A.	For 2 x 4mm ² Cable	5.4
	316-20032	E500A-3-02	For PAR 56, 12/24V, max. 300W, 30A.	For 2 x 6mm ² Cable	5.6
	316-20033	E500A-3-03	For PAR 56, 240V, max. 500W, 5A	For 3 x 1.5mm ² Cable	5.3
			FIXTURE, CONVEX LENS, NO STAND, WITH CABLE :		
E500A+10-9	316-20110	E500A-1-10	For 120V, max. 500W, CSA, UL	2.7m x 16/3 STWA/SOW	6.5
	316-20120	E500A-1-20	For 12V, max. 300W, CSA, UL	2.7m x 10/3 STWA/SOW	9.8
	316-20230	E500A-2-30	For 12/24V, max. 300W , 30A	2.7m x 2 x 4mm ²	8.2
E500A+10-9 (open)	316-20240	E500A-2-40	For 12/24V, max. 300W , 30A	5.0m x 2 x 6mm ²	11.9
	316-20250	E500A-2-50	For 240V, max. 500W, 5A	2.7m x 3 x 1.5mm ²	5.8
	316-20260	E500A-2-60	For 240V, max. 500W, 5A	5.0m x 3 x 1.5mm ²	6.3
	316-20335	E500A-3-35	For 12/24V, max. 300W , 30A	2.7m x 2 x 4mm ²	8.2
	316-20345	E500A-3-45	For 12/24V, max. 300W , 30A	5.0m x 2 x 6mm ²	11.9
	316-20355	E500A-3-55	For 240V, max. 500W, 5A	2.7m x 3 x 1.5mm ²	5.8
	316-2065	E500A-3-65	For 240V, max. 500W, 5A	5.0m x 3 x 1.5mm ²	6.3
			ADD ON TO STANDARD FIXTURES		
	350-0003	+/-07	Thermal Cut Off for single cable 120 / 240V only	Factory wired only	0.1
E500A+B6-2	350-1111	+/-2A	2. Cable entry, 240V, 3 x 1.5mm ²	Factory wired only	0.1
	350-1113	+/-2B	2. Cable entry, 12V / 24V , 2 x 2.5mm ²	Factory wired only	0.1
	350-1123	+/-2C	2. Cable entry, 12V / 24V , 2 x 4mm ²	Factory wired only	0.2
	350-1133	+/-2D	2. Cable entry, 12V / 24V , 2 x 6mm ²	Factory wired only	0.3
	391-3001	+/-30-3	213mm Clear Flat Lens (0903 required)	Cat.Page310/Web Index 6	1.1
E500A+B1	391-3000	+/-35-3-0000	213mm Flat Dichro Color Lens(0903 required)	Cat.Page310/Web Index 6	1.1
	391-0723	+/-0903	Flat Lens Adapter (B4 or B4A Stand required)		2.8
	334-3922	+/-05	Dichro Lens Shade	Clip On	0.9
	350-0014	+/-10-3	Bolt On Rock Guard		1.5
E500A+B30-1	350-0035	+/-10-8	Lensguard (In Addition To Lightfixture Only)		1.0
	350-0026	+/-10-9	Swing Up Rock Guard		0.7
	350-0290	+/-B7	B7 Yoke		0.8
	350-0270	+/-B6-2	B6-2 Brackets	20cm W.D.	0.9
	350-0109	+/-B1	B1, Tripod Stand	33 to 40cm WD	1.4
	350-0200	+/-B4	B4 Ring Stand	33 to 40cm WD	2.6
E500A+B76	350-0220	+/-B4A	B4A Ring Stand	0.5 / 1.0m WD	7.2
	350-4062	+/-B69-1	B69-1 Stainless Steel Niche	Requires extra cable length	7
	350-4660	+/-58-06	58-06 Tile Mask		2.3
	350-4081	+/-B70A	Walk Over Stainless Steel Niche	Requires extra cable length	11.5
	350-0320	+/-B30-0	B 30 Niche, Side Conduit, Brass fitted	Requires extra cable length	3.7
	350-0321	+/-B30-1	B 30 Niche, Side Conduit, St.St. fitted	Requires extra cable length	3.7
	350-0324	+/-B30-4	B 30 Niche, Bottom Conduit, Brass fitted	Requires extra cable length	3.7
	350-0325	+/-B30-5	B 30 Niche, Bottom Conduit, St.St. fitted	Requires extra cable length	3.7
	350-2510	+/-B76	B76 Walk OverSlab Hanger		5,4
	350-2520	+/-B76A	B76A Slab Hanger With Locks		6,2
	362-20030	PAR56 FSP, 240/500	Full Spot Lamp, 240V, 500W, 2000+ Hrs	GX16d	1
	362-20051	PAR56 FSP, 24/250	Full Spot Lamp, 24V, 250W, 2000+ Hrs	Bolt on connection	1
E500A+69-1+10-8	385-3330	T301	Transformer 240V, 50Hz x 12V or 24V, 300VA	CE, IP23	2.2