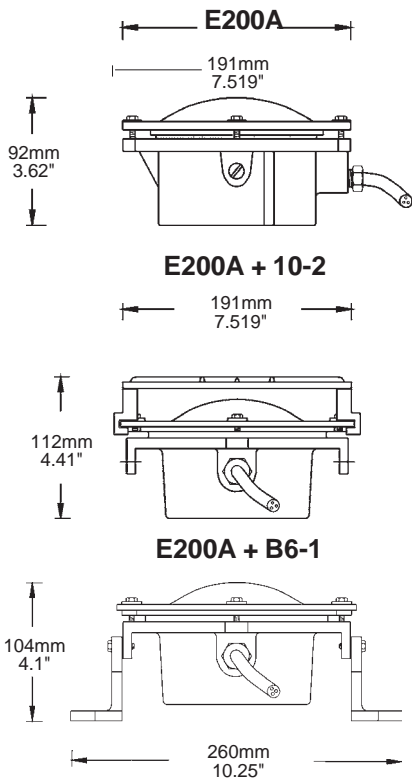


SUBMERSIBLE LIGHTFIXTURE

PEM E200

Low Profile Lightfixture with parabolic reflector
120V / 240V - max. 250W, 12V / 100W, 24V / 150W



APPROVALS
CSA, 120 / 24 & 12V
UL, 120 / 24 & 12V



DESCRIPTION:

Low profile submersible lightfixture with internal polished stainless steel parabolic reflector providing a vertical rectangular light output along the axis to the lamp base with maximum light concentration on center of solitary vertical spray effects. By using the stand assembly B8 the axis of the lightfixture can be rotated by 90 degrees providing a rectangular horizontal light output for spray rings or waterfalls.

LAMP, Quartz Halogen - OPTIONAL

T4-MC: 120V / 240V, max. 250W, Mini Candelabra, E11 base.
JC: 12V or 24V G6.35-1.0 base, max. 100W - 12V & 150W - 24V.

CONSTRUCTION OF LIGHTFIXTURE:

FIXTURE HOUSING: Cast Bronze. Stainless Steel fitted.

REFLECTOR:

Corrosion and heat resistant Stainless Steel highly polished parabolic surface beneath lamp and protective shielding over electrical components.

LAMP HOLDER:

T4-MC: 120V / 240V fixtures: Ceramic, mini-candelabra screw base, E11.
JC : G6.35-1.0, 2 Pin base.
-36 : Fork terminals for screw connection of lamps.

LENS: 143mm / 5.625" Diameter. See page 310.

STANDARD: Convex cast glass, heat resistant and tempered.
Clear or 5 colors.

OPTIONAL: Convex Dichro Colour Lens, in 10 colours
OPTIONAL: Lens Shade for Dichro Colour Lens

LENS GASKET: Custom molded U shape made of material approved for the application.

DICHROIC LENS SHADE: -0-5 (Required for clean (color) illumination).

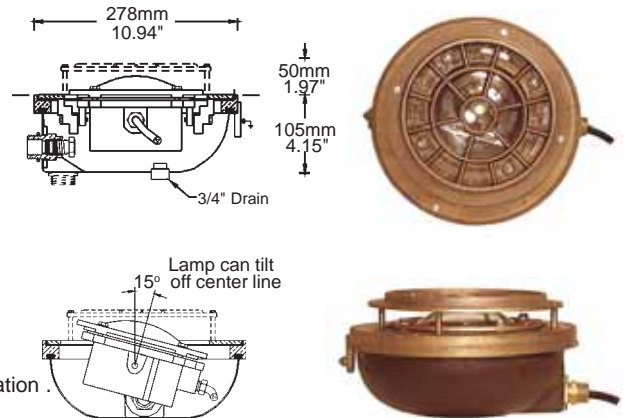
ELECTRICAL CABLE: Approved for the purpose with integral epoxy encapsulated, compression type cable entry in factory assembled fixtures.
For low voltage cable see pages 308 & 309 for size and length.

THERMAL CUT OFF:

Optional: For 120V & 240V fixtures only

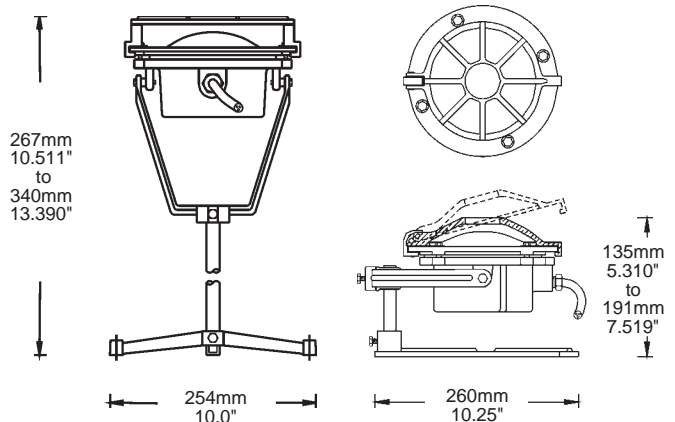
MOUNTING OPTIONS: Optional

E200A + B60-1 & 2 Low Profile Niche



E200A + 10-2 + B1

E200A + 10-6 + B8A

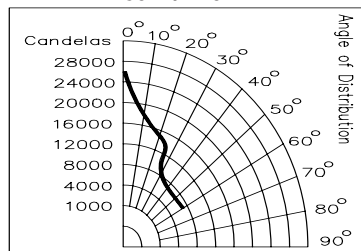
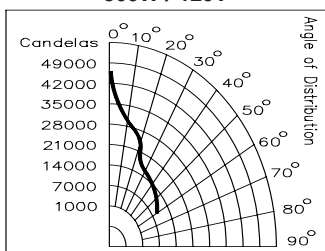


CANDLE POWER

measured in open air 2m / 6.56 feet from clear lens without rockguard.

500W / 120V

250W / 120V



PEM E200

	SERIAL	PEM	CABLE	W.
	314-3000	Cat.	Length & Size	Kg
	FOR LAMPS AS INDICATED (Not included)			
E200A	FIXTURE WITH CONVEX LENS, NO STAND, WITH CABLE			
	314-3011	E200A-1-11	T4, MC, E11, 120V, UL/CSA max. 250W with	2.7mx16/3STWA/SOW 3.9
	314-3013	E200A-1-13	T4, MC, E11, 240V, max. 250W with	2.7m x 3 x 1.5mm 3.9
	314-3014	E200A-1-14	T4, MC, E11, 240V, max. 250W with	5.0m x 3 x 1.5mm 4.4
	314-3015	E200A-1-15	T4, MC, E11, 240V, max. 250W with	10.0m x 3 x 1.5mm 5.4
	314-3021	E200A-2-21	JC, Bi Pin G6.35 x 1, 0, 12V, 100W with	2.7m x 2 x 2.5mm2 3.9
	314-3023	E200A-2-23	JC, Bi Pin G6.35 x 1, 0, 12V, 100W with	5.0m x 2 x 4mm2 4.4
E200A+10-2	314-3024	E200A-2-24	JC, Bi Pin G6.35 x 1, 0, 12V, 100W with	10.0m x 2 x 6mm2 6.3
	314-3025	E200A-2-25	JC, Bi Pin G6.35 x 1, 0, 24V, 150W with	2.7m x 2 x 2.5mm2 3.9
	314-3026	E200A-2-26	JC, Bi Pin G6.35 x 1, 0, 24V, 150W with	5.0m x 2 x 4mm2 4.4
	314-3027	E200A-2-27	JC, Bi Pin G6.35 x 1, 0, 24V, 150W with	10.0m x 2 x 6mm2 6.3
E200A+10-6	ADD ON TO STANDARD FIXTURES			
	391-2001	+/-30-2	#2A, 143mm Clear Flat Lens	0.3
	391-2000	+/-35-2-0000	#2, 143mm Flat Dichro Color Lens.	Page 310/Web INDEX 6 0.3
	334-3922	+/-05	Dichro Lens Shade	Clip On 0.3
	350-0003	+/-07	Thermal Cut Off for 120V / 240 V only	Factory wired only 0.1
	350-0014	+/-10-2	Clip On Rockguard	0.8
E200A+10-7	350-0026	+/-10-6	Swing Up Rockguard	0.9
	350-0029	+/-10-7	Lensguard (Addition to Lightfixture Only)	0.7
	350-0109	+/-B1	Tripod Stand, 40cm WD	1.4
	350-0110	+/-B1S	Tripod Stand, 25cm WD	1.2
	350-0130	+/-B4	Ring Stand, 60cm WD	2.4
E200A+B6-1	350-0220	+/-B6-1	Mounting Brackets	1.1
	350-0290	+/-B7	Mounting Yoke	0.8
	350-0320	+/-B30-0	B 30 Niche, Side Conduit, Brass fitted	Requires extra cable length 3.7
	350-0321	+/-B30-1	B 30 Niche, Side Conduit, St.St. fitted	Requires extra cable length 3.7
	350-0324	+/-B30-4	B 30 Niche, Bottom Conduit, Brass fitted	Requires extra cable length 3.7
	350-0325	+/-B30-5	B 30 Niche, Bottom Conduit, St.St. fitted	Requires extra cable length 3.7
E200A+B1-S	350-0330	+/-B60-1	B60 Composite Niche	Requires extra cable length 4.5
	350-4041	+/-B60-2	Bolt On Niche B 60 Rockguard	1.5
	350-4042	+/-58-05	Tile Mask for B60 Niche	2.8
	350-2310	+/-B56-1	Slab Hanger	3.1
	350-2320	+/-B56-1A	Slab Hanger with Locks	3.5
E200A+B30-1	350-2410	+/-B57-1	Waterfall Slab Hanger	2.8
	350-2420	+/-B57-1A	Waterfall Slab Hanger with Locks	3.2
	350-0733	+/-B23-6	Bracket for 6 Lights on 3" Pipe	1.0
	350-0734	+/-B23-7	Bracket for 6 Lights on 4" Pipe	1.6
	350-0742	+/-B23-2-1	16mm x 100mm Mounting Rod For B23	0.3
E200A+ B56-1	350-0742	T301	Transformer 240V, 50Hz x 12V/24V, 300VA	CE / IP23 2.2