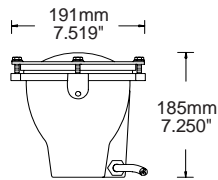


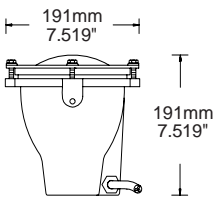
# SUBMERSIBLE LIGHTFIXTURE **PEM E150**

FOR USE WITH REFLECTOR LAMPS

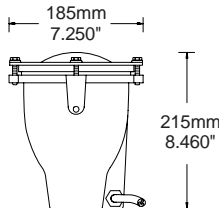
**E150A-1 (PAR38)**



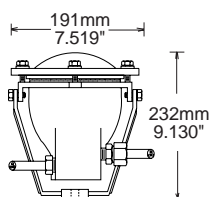
**E150A-2 (R40-120V)**



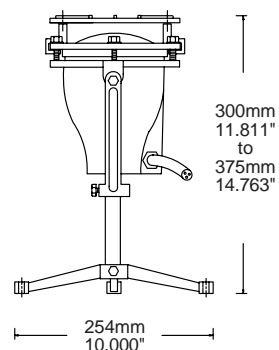
**E150A-3 (R40-240V)**



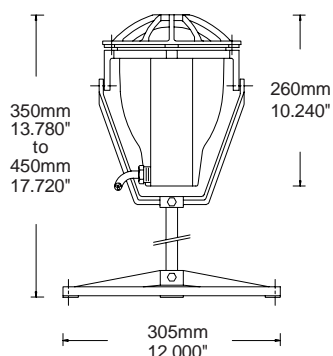
**E150A-2 + B7 (PAR38)**



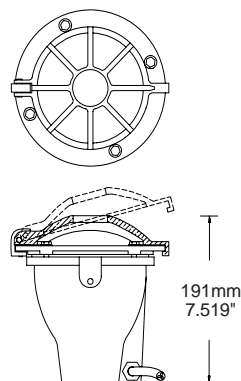
**E150A-2 + 10-2 + B1**



**E150A-3 + 10-7 + B4**



**E150A-1 + 10-6**



**E150A-B1**



**E150A-10-6-B1**

**LAMPS: OPTIONAL**

Select E150 Fixture for lamp length (MOL) available. Verify with supplier the availability of suitable Reflector Lamps.

**CONSTRUCTION OF LIGHTFIXTURE:**

**HOUSING & FACERING:**

Cast bronze, Stainless Steel fitted. Facing states tightening torque for facing bolts.

**LAMP HOLDER:**

E27/E26, Ceramic screw socket with copper alloy screw shell and parts.

**LENS: 143mm / 5.625" Diameter. See page 310.**

**STANDARD:** Convex cast glass, heat resistant and tempered. Clear or 5 colors.

**OPTIONAL:** Convex Dichro Colour Lens, in 10 colours

**OPTIONAL:** Lens Shade for Dichro Colour Lens

**LENS GASKET:**

Molded, single piece 'U' shaped gasket of EDM for submerged use, High temperature silicone rubber (optional) for dry use.

**THERMAL CUT-OFF: OPTIONAL,**

Specify /-07 Available for 120V-240V fixtures only.

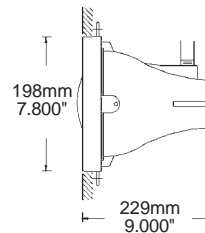
**CABLE:**

Approved for the purpose. Electrical cable with epoxy encapsulated compression type cable entry into housing. See pages 308 & 309 for low voltage cable.

**ROCKGUARD OR LENS GUARD: OPTIONAL**

**STAND OR MOUNTING ASSEMBLY: OPTIONAL.**

**E150-C (PAR38)**

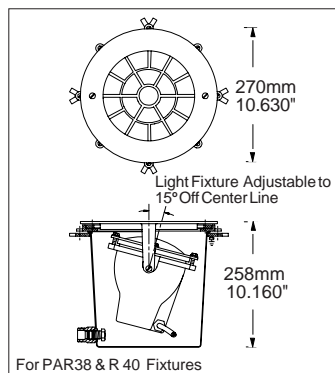


**CAST INTO WALL FIXTURE** with 1/2" / 12mm conduit connection. No Cable

**APPROVALS FOR Submerged use**

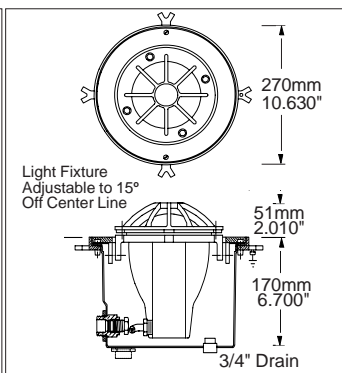
- CSA - 120 / 24 & 12V
- CE - 12V
- CS - 240 / 24 & 12V
- UL - 120 / 24 & 12V

**E150-A1 & 2 + B50A**  
B50A WALK OVER WET NICHE

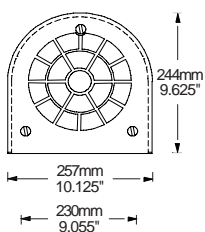


For PAR38 & R 40 Fixtures

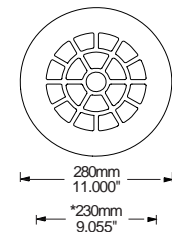
**E150-A1 + 10-7 + B46**



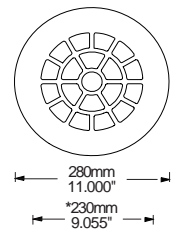
**E150A + B57**  
B57 Slab Hanger



**E150A + B56-1**  
B56 on Pipe Stand  
(10" PVC Pipe, by others)



**E150A + B56**  
B56 Slab Hanger



\* Inside diameter of circular opening in floor or deck

# E150

2006-10

|  | SERIAL   | PEM  | Web Index # 6 /                                     | CABLE                    | W.  |  |
|--|--|--|---|--------------------------|-----|--|
|  | 313-0000   | Cat.   | Catalog. Pages 328 - 329                            | Length & Size            | Kg  |  |
| <b>FOR LAMPS AS INDICATED-(Not included)</b>   |  |  |   |                          |     |  |
| <b>E150A-1, &amp; 2 Require Lens Adapter for Flat Lens-- MOL = Main overall length of lamp</b> |  |  |   |                          |     |  |
| <b>Select cable size to suit lamp(s) wattage (Amperage)</b>                                    |  |  |   |                          |     |  |
| <b>FIXTURE w. CONVEX LENS, NO STAND, WITH CORDSEAL, NO CABLE</b>                               |  |  |   |                          |     |  |
|               | 313-10011  | <b>E150A-1-01</b>                                      | PAR38,E26,E27, 12V to 240V, for 136mm MOL Lamp      | For 3 X 1.5mm2 Cable     | 4.4 |  |
|  | 313-10021  | <b>E150A-2-01</b>                                      | R40 E26/E27, 12V to 240V, for 165mm MOL Lamp        | For 3 X 1.5mm2 Cable     | 4.8 |  |
|  | 313-10031  | <b>E150A-3-01</b>                                      | R40,E26/E27,12V to 240V, for 185mm MOL Lamp         | For 3 X 1.5mm2 Cable     | 5.2 |  |
|               | 313-10012  | <b>E150A-1-02</b>                                      | PAR38,E26,E27, 12V to 240V, for 136mm MOL Lamp      | For 2 X 2.5mm2 Cable     | 4.4 |  |
|  | 313-10022  | <b>E150A-2-02</b>                                      | R40 E26/E27, 12V to 240V, for 165mm MOL Lamp        | For 2 X 2.5mm2 Cable     | 4.8 |  |
|  | 313-10032  | <b>E150A-3-02</b>                                      | R40,E26/E27,12V to 240V, for 185mm MOL Lamp         | For 2 X 2.5mm2 Cable     | 5.2 |  |
|  | 313-10013  | <b>E150A-1-03</b>                                      | PAR38,E26,E27, 12V to 240V, for 136mm MOL Lamp      | For 2 X 4mm2 Cable       | 4.4 |  |
|  | 313-10023  | <b>E150A-2-03</b>                                      | R40 E26/E27, 12V to 240V, for 165mm MOL Lamp        | For 2 X 4mm2 Cable       | 4.8 |  |
|  | 313-10033  | <b>E150A-3-03</b>                                      | R40,E26/E27,12V to 240V, for 185mm MOL Lamp         | For 2 X 4mm2 Cable       | 5.2 |  |
|               | 313-10014  | <b>E150A-1-04</b>                                      | PAR38,E26,E27, 12V to 240V, for 136mm MOL Lamp      | For 2 X 6mm2 Cable       | 4.4 |  |
|  | 313-10024  | <b>E150A-2-04</b>                                      | R40 E26/E27, 12V to 240V, for 165mm MOL Lamp        | For 2 X 6mm2 Cable       | 4.8 |  |
|  | 313-10034  | <b>E150A-3-04</b>                                      | R40,E26/E27,12V to 240V, for 185mm MOL Lamp         | For 2 X 6mm2 Cable       | 5.2 |  |
|  | <b>FIXTURE w. CONVEX LENS, NO STAND WITH CABLE</b> |  |   |                          |     |  |
|  | 313-10051  | <b>E150A-1-10</b>                                      | UL/CSA-PAR38, max.120V, for 136mm MOL Lamp with     | 2.7m, 9' x 16/3AWG       | 4.4 |  |
|  | 313-10053  | <b>E150A-2-10</b>                                      | UL/CSA-R40, max.120V, for 165mm MOL Lamp with       | 2.7m, 9' x 16/3AWG       | 4.9 |  |
|  | 313-10056  | <b>E150A-3-10</b>                                      | UL-CSA-R40, max.120V, for 185mm MOL Lamp with       | 2.7m, 9' x 16/3AWG       | 5.1 |  |
|  | 313-10061  | <b>E150A-1-11</b>                                      | PAR38, E26 max. 240V, for 136mm MOL Lamp with       | 2.7m, 3 x 1.5mm2         | 4.9 |  |
|  | 313-10062  | <b>E150A-1-12</b>                                      | PAR38, E26 max. 240V, for 136mm MOL Lamp with       | 5.0m, 3 x 1.5mm2         | 7.9 |  |
|  | 313-10063  | <b>E150A-1-13</b>                                      | PAR38, E26 max. 240V, for 136mm MOL Lamp with       | 10.0m, 3 x 1.5mm2        | 7.3 |  |
| 313-10064  | <b>E150A-1-16</b>                                  | PAR38, E26 12V - 24V, for 136mm MOL Lamp with          | 2.7m x 2 x 2.5mm2                                   | 5.5                      |     |  |
| 313-10065  | <b>E150A-1-17</b>                                  | PAR38, E26 12V - 24V, for 136mm MOL Lamp with          | 5.0m x 2 x 4.0m2                                    | 5.8                      |     |  |
| 313-10066  | <b>E150A-1-18</b>                                  | PAR38, E26 12V - 24V, for 136mm MOL Lamp with          | 10.0m x 2 x 6.0mm2                                  | 8.7                      |     |  |
| 313-30703  | <b>E150A-3-11</b>                                  | R40, E26, max.240V,300W,for185mm MOL Lamp with         | 2.7m, 3 x 1.5mm2                                    | 5.4                      |     |  |
| 313-30705  | <b>E150A-3-12</b>                                  | R40, E26, max.240V,300W,for185mm MOL Lamp with         | 5.0m, 3 x 1.5mm2                                    | 6.4                      |     |  |
| 313-30707  | <b>E150A-3-13</b>                                  | R40, E26, max.240V,300W,for185mm MOL Lamp with         | 10.0m, 3 x 1.5mm2                                   | 4.7                      |     |  |
| 313-30901  | <b>E150C</b>                                       | PAR38,BR30,max.240V-150W, for 165mm MOL Lamp           | 1/2" NPS/BSP Conduit                                | 8.1                      |     |  |
| <b>ADD ON TO STANDARD FIXTURES</b>   |  |  |   |                          |     |  |
|              | 391-0431   | <b>13-A</b>  | High Temp. Silicon Rubber Lens Gasket               | Cat.Page 310/Web Index 6 | 0.1 |  |
|  | 332-3043   | <b>+/-8/-03 (A)</b>                                    | Dichro Adapter for E 150-1 for Flat Lens w.Gasket   | Or use E 150-2 or -3     | 0.9 |  |
|  | 391-2001   | <b>+/-30-2</b>   | #2A, 143mm Clear Flat Lens                          | Cat.Page 310/Web Index 6 | 0.3 |  |
|  | 391-2000   | <b>+/-35-2-0000</b>                                    | #2, 143mm Flat Dichro Color Lens.                   | Cat.Page 310/Web Index 6 | 0.3 |  |
|  | 350-0003   | <b>+/-07</b>   | Thermal Cut Off for 120V / 240V only                | Factory wired only       | 0.1 |  |
|  | 350-0011   | <b>+/-2A</b>   | 2. Cable entry, 240V, 3 x 1.5mm2 & 3 x 1.5mm2       | Factory wired only       | 0.1 |  |
|  | 350-0013   | <b>+/-2B</b>   | 2. Cable entry, 12V / 24V , 2 x 4.0mm2 & 2 x 2.5mm2 | Factory wired only       | 0.1 |  |
|  | 350-0023   | <b>+/-2C</b>   | 2. Cable entry, 12V / 24V , 2 x 6.0mm2 & 2 x 2.5mm2 | Factory wired only       | 0.2 |  |
|  | 350-0033   | <b>+/-2D</b>   | 2. Cable entry, 12V / 24V , 2 x 6.0mm2 & 2 x 4.0mm2 | Factory wired only       | 0.3 |  |
|  | 334-3922   | <b>+/-05</b>   | Dichro Lens Shade                                   | Clip On                  | 0.9 |  |
| 350-0014   | <b>+/-10-2</b>                                     | Clip On Rockguard                                      |   | 0.8                      |     |  |
| 350-0026   | <b>+/-10-6</b>                                     | Swing Up Rockguard                                     |   | 0.9                      |     |  |
| 350-0029   | <b>+/-10-7</b>                                     | Lensguard (In Addition To Lightfixture Only)           |   | 0.7                      |     |  |
| 350-0109   | <b>+/-B1</b>                                       | Tripod Stand, 40cm WD                                  |   | 1.4                      |     |  |
| 350-0130   | <b>+/-B4</b>                                       | Ring Stand, 60cm WD                                    |   | 2.6                      |     |  |
| 350-0290   | <b>+/-B7</b>                                       | Mounting Yoke  |   | 0.8                      |     |  |
| 350-4011   | <b>+/-B46-1</b>                                    | Stainless Steel, Bronze Fitted Niche                   |   | 6.5                      |     |  |
| 350-4031   | <b>+/-B50A</b>                                     | Walk Over Stainless Steel, Bronze Fitted Niche         |   | 8.2                      |     |  |
| 350-4330   | <b>+/-58-03</b>                                    | Tile Mask for Stainless Steel, Bronze Fitted Niche     |   | 2.3                      |     |  |
| 350-0320   | <b>+/-B30-0</b>                                    | B 30 Niche, Side Conduit, Brass fitted (E150-1 only)   | Requires extra cable length                         | 3.7                      |     |  |
| 350-0321   | <b>+/-B30-1</b>                                    | B 30 Niche, Side Conduit, St.St. fitted (E150-1 only)  | Requires extra cable length                         | 3.7                      |     |  |
| 350-0324   | <b>+/-B30-4</b>                                    | B 30 Niche, Bottom Conduit, Brass fitted(E150-1 only)  | Requires extra cable length                         | 3.7                      |     |  |
| 350-0325   | <b>+/-B30-5</b>                                    | B 30 Niche, Bottom Conduit, St.St. fitted(E150-1 only) | Requires extra cable length                         | 3.7                      |     |  |
| 350-2310   | <b>+/-B56-1</b>                                    | Slab Hanger  |   | 3.1                      |     |  |
| 350-2320   | <b>+/-B56-1A</b>                                   | Slab Hanger with Locks                                 |   | 3.5                      |     |  |
| 350-2410   | <b>+/-B57-1</b>                                    | Waterfall Slab Hanger                                  |   | 2.8                      |     |  |
| 350-2420   | <b>+/-B57-1A</b>                                   | Waterfall Slab Hanger with Locks                       |   | 3.2                      |     |  |
| 385-3330   | <b>T301</b>  | Transformer 240V, 50Hz x 12V/24V, 300VA                | CE, IP23  | 2.2                      |     |  |