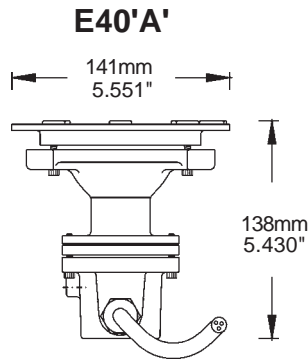
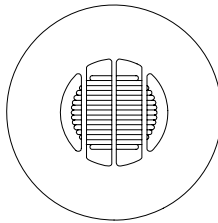


SUBMERSIBLE LIGHTFIXTURE **PEM E40**



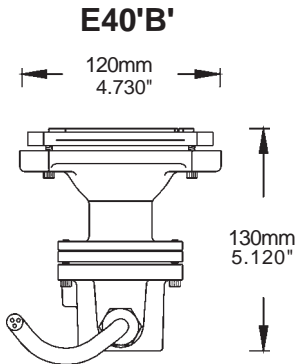
E40'A'
(With Rockguard)



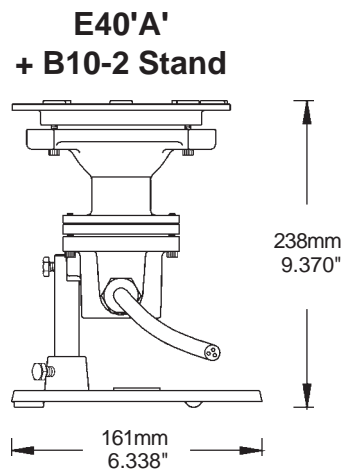
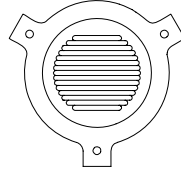
E40'A'
(A Option) + B10-2



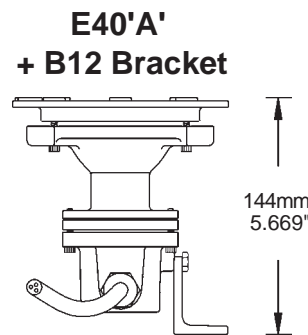
E40'B'
(B Option) + B10-2



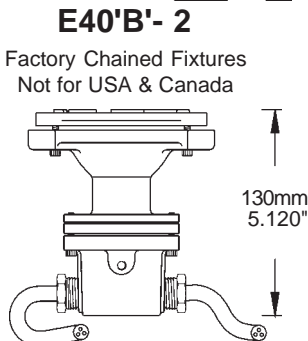
E40'B'
(Without Rockguard)



E40'A'
+ B10-2 Stand



E40'A'
+ B12 Bracket



E40'B'- 2

Factory Chained Fixtures
Not for USA & Canada

FIXTURE TYPES

1. T4-MC, CSA, 120V, max. 250W 'A' & 'B' Option. Excluding -2.
2. T4-MC, UL, 120V, max. 250W 'A' Option. Excluding -2.
3. T4-MC, CS, 240V, max. 250W 'A' & 'B' Option. Excluding -2.
4. JC, UL, 12V max. 75W / 24V max.150W. 'A' Option Excluding -2.
5. JC, CSA/CS/CE, 12V max.75W or 24V max.150W. 'A'&'B' Option. Excluding -2.
6. LV, UL 12V, 'A' UL Option. Excluding -2. (For MR 16 Lamps) 12V max. 75W.
7. LV, CSA/CS/CE, 12V,max. 75W. Submersible Use: 'A' & 'B' Option. Excluding -2. (For MR 16 Lamps)
8. DW-UL,C-UL, 120V, Max. 50W, GU10 Reflector Lamp, GZ10 Base.
9. DW-240V, Max. 50W., GU10 Reflector Lamp, GZ10 Base.
10. LVD, UL, ULC, 12V-50W For MR16 Lamps (Wet or Dry)

DESCRIPTION

FIXTURE HOUSING & FACERING: Cast Bronze, Stainless Steel fitted.

LAMPS: Quartz Halogen-OPTIONAL, Not part of fixture:

T4-MC: 120V / 240V, Mini Candelabra, T4-MC / E11 base.

DW: 120V / 240V, (Max. 50W), GU10 Reflector Lamp, GZ10 Base.

JC- 12V or 24V: JC Type 2 pin Lamp, 6.35-1.0 base (24V, use Axial Filament lamps only).

LV- 12V: MR16(50mm), GX5.3 base with Aluminized Reflector only.

FIXTURE : :E40 Fixtures are made of cast bronze 85/5/5/5. Stainless Steel fitted

FIXTURE OPTIONS: (Options A & S, A & F, B & S, B & F can be combined)

'S' and 'F' type fixtures have water cooled and chromed parabolic reflector integral with housing.

'A' Option Fixtures have wide facering and built in rockguard.

'B' Option Fixtures have narrow facering and no rockguard.

'S' Option,for T4 & JC Types have polished reflector with 11° included beam output - **Spotlight.**

'F' Option, for T4 & JC Types have diffused output with 100° included beam- **Flood light.**

'LV' & 'DW' have natural bronze body fitted for Lamp Rim Clamps.

LAMP HOLDERS: T4-MC, 120V and 240V: -S25 Mini Candelabra (E11) - ceramic.

'LV', 12V: Rim Clamps & Bi Pin Socket GX 5.3.

'JC', 12V & 24V: Bi Pin Socket G 6.35-1.0.

'DW',120-240V: Rim Clamps & GZ10 Twist lock Socket.

LENS: CONVEX FRESNEL LENS: 80mm / 3.149" O.D., Clear or 5 colors. (See pages 310 & 311).

OPTIONAL & EXTRA:

CONVEX CLEAR LENS without Fresnels for MR16 & GU10 Spot Lamps.

FLAT CLEAR LENS & FLAT DICHRO COLOR LENSES (10 Colors) (See pages 310 & 311).

LENS GASKET: Custom molded 'U' shape. Made of high temperature Silicone Rubber (U.L. listed).

DICHROIC LENS SHADE: E40 - 0-5 (Required for dichroic colors).

THERMAL CUT OFF: Optional,120V only, integral, automatic self resetting type to protect cable entry.

ELECTRICAL CABLE: Approved for the purpose with integral epoxy encapsulated compression type cable entry in factory assembled fixtures. For Factory chained fixtures - Enquire. (Not UL or CSA)

B10 RING STAND: Cast bronze ring base directional adjustable with height adjustment by choice of length of stand rod to achieve desired overall height.

B12 MOUNTING BRACKET: Cast bronze 'L' Type for 6mm / 1/4" mounting bolt.

PEM E 40 LIGHT OUTPUT (Measured in open air)

E40-S, 120V - T4-MC Lamp

Clear Flat Lens, Included Beam Angle 11°

Distance	Diameter	* fc
0.5m	0.1m	19880
1.0m	0.2m	6600
1.5m	0.4m	3230
2.0m	0.5m	1440
3.0m	0.9m	790
4.0m	1.2m	485

*fc = appr.foot candles at center

E40-F, 120V - T4-MC Lamp

ClearFlat Lens, Included Beam Angle 100°

Distance	Diameter	* fc
0.5m	0.8m	3344
1.0m	1.6m	1143
1.5m	2.4m	518
2.0m	3.4m	315
3.0m	5.4m	153
4.0m	7.4m	96

*fc = appr.foot candles at center

E40

2006-10

	SERIAL	PEM	Website - Index # 6	CABLE	W.
	309-00000	Cat.	Catalog. Pages 322 & 323	SIZE & LENGTH	Kg
			FOR LAMPS AS INDICATED (Not included)		
			Select cable size to suit lamp(s) wattage (Amperage)		
			CSA & U.L."A' Type FIXTURES WITH CONVEX FRESNEL LENS, & CABLE , NO STAND		
	309-102610	E40A-S-1-2-10	UL/CSA- T4- E11,max.120V, 250W Wet, 20W Dry	2.7mx16/3 AWG	3.5
	309-102620	E40A-F-1-2-20	UL/CSA- T4- E11,max.120V, 250W Wet, 20W Dry	2.7mx16/3 AWG	3.5
	309-102640	E40A-S-2-2-40	UL/CSA- JC, Bi Pin,12V/ 24V, max 150W Wet, 20W Dry	2.7mx16/3 AWG	3.5
	309-102650	E40A-F-2-2-50	UL/CSA-JC, Bi Pin,12V/ 24V, max 150W Wet, 20W Dry	2.7mx16/3 AWG	3.5
	309-102660	E40A-LV-2-60	UL/CSA-MR16,12V/24V,Max.150W Wet,max 20 W.Dry	2.7mx16/3 AWG	3.5
			B Type FIXTURE WITH CONVEX FRESNEL LENS & CORDSEAL, NO CABLE & NO STAND		
	309-102701	E40B-S-1-01	For T4- E11,max.240V, 250W	For 9-11mm Cable	2.4
	309-102702	E40B-F-1-01	For T4- E11,max.240V, 250W	For 9-11mm Cable	2.4
	309-102703	E40B-S-2-01	For JC, Bi Pin, 6.35-1, 12V/ 24V, max 150W	For 9-11mm Cable	2.3
	309-102704	E40B-F-2-01	For JC, Bi Pin, 6.35-1, 12V/ 24V, max 150W	For 9-11mm Cable	2.3
	309-102705	E40B-LV-1-01	For MR16, 12V/24V, MAX 5W	For 9-11mm Cable	2.3
			B Type FIXTURE WITH CONVEX FRESNEL LENS & CABLE , NO STAND		
	309-102715	E40B-S-1-2-15	For T4- E11,max.240V, 250W Wet, 20W Dry	2.7m x 3 x 1.5mm2	3.3
	309-102716	E40B-S-1-2-16	For T4- E11,max.240V, 250W Wet, 20W Dry	5.0m x 3 x 1.5mm2	7.0
	309-102723	E40B-F-1-2-23	For T4- E11,max.240V, 250W Wet, 20W Dry	2.7m x 3 x 1.5mm2	3.3
	309-102725	E40B-F-1-2-25	For T4- E11,max.240V, 250W Wet, 20W Dry	5.0m x 3 x 1.5mm2	7.0
	309-102743	E40B-S-2-2-43	For JC, Bi Pin,12V/ 24V, max 150W Wet, 20W Dry	2.7m x 2 x 2.5mm2	3.3
	309-102745	E40B-S-2-2-45	For JC, Bi Pin,12V/ 24V, max 150W Wet, 20W Dry	5.0m x 2 x 2.5mm2	4.0
	309-102753	E40B-F-2-2-53	For JC, Bi Pin,12V/ 24V, max 150W Wet, 20W Dry	2.7m x 2 x 2.5mm2	3.3
	309-102756	E40B-F-2-2-56	For JC, Bi Pin,12V/ 24V, max 150W Wet, 20W Dry	5.0m x 2 x 2.5mm2	4.0
	309-102762	E40B-LV-2-62	For MR16, 12V/24V, Max. 20W Dry, max 20 W. Wet	2.7m x2x 1.5mm2	3.1
	309-102764	E40B-LV-2-64	For MR16, 12V/24V, Max. 20W Dry, max 20 W. Wet	2.7m x2x 2.5mm2	3.1
	309-102765	E40B-LV-2-65	For MR16, 12V/24V, Max. 20W Dry, max 75 W. Wet	2.7m x2x 1.5mm2	3.1
	309-102767	E40B-LV-2-67	For MR16, 12V/24V, Max. 20W Dry, max 75 W. Wet	5.0m x 2 x 2.5mm2	5.5
			ADD ON TO FIXTURES		
	391-0224	+/-14-1B	80mm Convex Clear Lens, No Fresnels	Cat. P.310/Web # 6	0.1
	391-1001	+/-30-1	80mm Flat Clear lens	Cat. P.310/Web # 6	0.1
	391-1000	+/-35- 1-30	80mm Flat Dichro Color Lens	Cat. P.310/Web # 6	0.1
	330-3041	+/-E40-5-1	Flat Lens Adaptation for T4-MC & JC (Required)	Factory installed	0.5
	350-0003	+/-07	Thermal Cut Off for 120/240V only	Factory installed	0.0
	334-3191	+/-05	Brass Lens Shade for Dichro Color		0.1
	350-0011	+/- 2-1	2. Cable Cordseal, 9-11mm Cable O.D.	Factory wired only	0.1
	350-0520	+/- -B10-1	B10-1 Ring Stand, 19cm WD		1.5
	350-0540	+/- -B10-2	B10-2 Ring Stand, 25cm WD		2.0
	350-0560	+/- -B10-3	B10-3 Ring Stand, 38cm WD		2.5
	350-0610	+/- -B12	B12 Mounting Bracket ,15cm WD		0.25
	350-0662	+/- -B23-2	Bracket for 2 x E 40 on 1 1 /2" Pipe		1.0
	350-0733	+/- -B23-6	Bracket for 6 Lights on 3" Pipe		1.0
	350-0734	+/- -B23-7	Bracket for 6 Lights on 4" Pipe		1.6
	350-0742	+/- B23-2-1	E40, 100mm Mounting Rod For B23		0.3
	385-3330	T 301	Transformer 240V,50Hz x 12V/24V, 300VA	CE, IP23	2.2