

SUBMERSIBLE LIGHTFIXTURE

PEM C131

NICHE MOUNTED

TYPES:

C 131-1 : 1 x AR111 , 12V, Max.100W (Standard)

C 131-3 : 3 x MR16 / GX5.3' 12V, Max. 3 x 75W (Standard) (with short cable only)

C 131-4 : 3 x MR16 / GX5.3, 12V, Max. 3 x 50W COLOR (Special) (with short cable only)

C 131-5 : 3 x GU10 / GZ10, 120 / 230V, Max. 3 x 50W (Special)

Note: MR16 lamps with Aluminized Reflectors.

FOR LAMP, Quartz Halogen, Extra & Additional

C131-1 PAR36, AR111.

Max. 100W , 12V

C131-3 (3) MR16, GX 5.3 base.

Max. 3 x 75 W,12V (with short cable only)

C131-4 (3) Color Changing MR16, GX 5.3 base .

Max.3 x 50 W, 12V (with short cable only)

C131-5 (3) GU10,GZ10 base

Max. 3 x 50W , 120 / 240V



C131-3



C131-1

CONSTRUCTION OF LIGHTFIXTURE & NICHE

FIXTURE HOUSING:

All cast bronze body with machined face .

Stainless Steel fitted.

NICHE :

All cast bronze construction with machined joints.

Vertical installed Niches must have bottom drain in freezing climates.

SEALED CONDUIT ENTRY INTO NICHE : Standard

3/4" NPT / BSP Conduit entry in side or bottom .

ANCHOR PLATE

Optional anchor plate (- B22) is available for mounting onto concrete surfaces.

LAMP HOLDER:

C131-1, Spring Ring for PAR36 or AR111 Lamps with Fork Connectors.

C131-3 & 4, Mounting Plate

with 3 x Bi Pin Socket GX 5.3 for MR16 Lamps with Aluminized Reflectors.

C131-5, Mounting Plate

with 3 x GZ10 Bi Pin Socket for GU10 Lamps.

LENS: 143mm / 5.625" Diameter, See page 310

Cast boron silicate glass, tempered.

STANDARD: CONVEX LENS, Clear or 5 colors.

OPTIONAL: FLAT CLEAR LENS.

OPTIONAL: FLAT DICHRO COLOR LENS -

Choice of 10 colors.

OPTIONAL: (14-9) FLAT, CLEAR, ARMoured LENS.

15mm thickness.

Replaces rockguard in certain applications.

LENS GASKET :

High Temperature Silicone Rubber. Single 'U' shape gasket with unique safety sealing lips and contours.

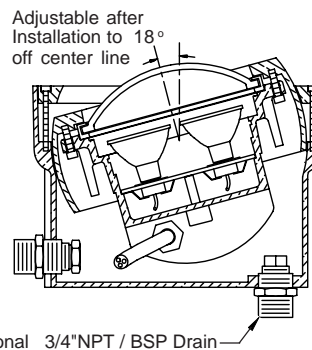
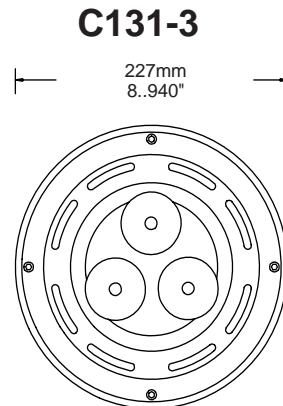
TILE MASK :

OPTIONAL.

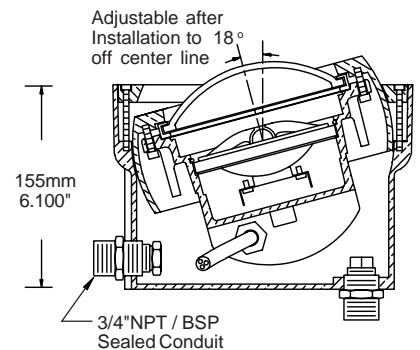
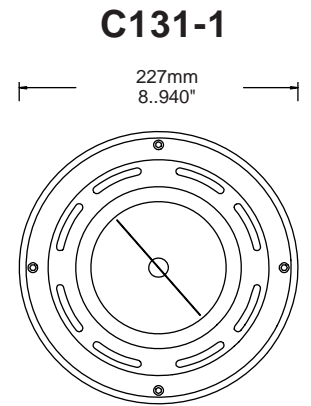
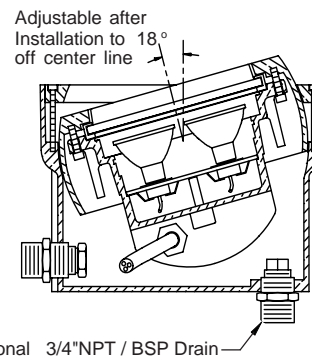
ELECTRICAL CABLE:

Approved for the purpose with integral epoxy encapsulated, compression type cable entry in factory assembled fixtures.

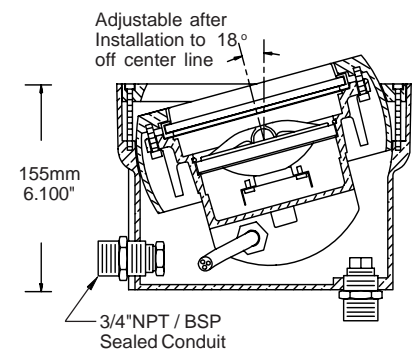
See page 309 for cable size & length.



C131-3+ 14-9




C131-1 + 14-9



PEM C131

2006-10

	SERIES	PEM	Website-Index # 6	CABLE	W.	
	307-27000	Cat.	Catalog.Pages 314 & 315	Length & Size	Kg	
			FOR LAMPS AS INDICATED (Not included)			
			Select cable size to suit lamp(s) wattage (Amperage)			
			FIXTURES W. CAST BRONZE NICHE, SWIVEL MOUNTED, Cord & Niche Seal & Cable			
C131 + 14-2-9	307-27813	C131-1-3	For 1 x 12V, AR111/PAR 36	5.0m x 2 x 2.5mm2	4.9	
	307-27815	C131-1-5	For 1 x 12V, AR111/PAR 36	5.0m x 2 x 4mm2	5.7	
	307-27819	C131-1-9	For 1 x 12V, AR111/PAR 36 UL, cUL	15' / 4.5m x 16/3 AWG	6.2	
	307-27832	C131-3-2	For 3 x 12V, MR16, single circuit	5.0m x 2 x 2.5mm2	4.8	
	307-27833	C131-3-3	For 3 x 12V, MR16, single circuit	5.0m x 2 x 4mm2	5.2	
	307-27835	C131-3-5	For 3 x 12V, MR16, single circuit	5.0m x 2 x 6mm2	6	
	307-27837	C131-3-7	For 3 x 12V, MR16, single circuit,UL,cUL	15' / 4.5m x 12/3 AWG	7.3	
C131 + 14-2-9, Full Tilt	307-27841	C131-4-1	For 3 x 12V, MR16, 3 circuits	5.0m x 5 x 1.5mm2	5.2	
	307-27842	C131-4-2	For 3 x 12V, MR16, 3 circuits	5.0m x 5 x 2.5mm2	5.7	
	307-27844	C131-4-4	For 3 x 12V, MR16, 3 circuits,UL,cUL	15' / 4.5m x 16/7 AWG	4.6	
	307-27853	C131-5-3	For 3 x 120V, GU-10 , single circuit	5.0m x 3 x 1.5mm2	5.2	
	307-27863	C131-6-3	For 3 x 120V, GU-10 , 3 circuits	5.0m x 5 x 1.5mm2	5.2	
	307-27865	C131-6-5	For 3 x 120V, GU-10 , 3 circuits, UL,cUL	15' / 4.5m x 16/7 AWG	4.8	
C131-1+14-2-9	307-27872	C131-7-2	For 4 x 12V, MR16, single circuit	5.0m x 2 x 2.5mm2	4.8	
	307-27873	C131-7-3	For 4 x 12V, MR16, single circuit	5.0m x 2 x 4mm2	5.2	
	307-27875	C131-7-5	For 4 x 12V, MR16, single circuit	5.0m x 2 x 6mm2	6	
	307-27877	C131-7-7	For 4 x 12V, MR16, single circuit,UL,cUL	15' / 4.5m x 12/3 AWG	7.3	
	307-27881	C131-8-1	For 4 x 12V, MR16, 4 circuits	5.0m x 5 x 1.5mm2	5.3	
	307-27882	C131-8-2	For 4 x 12V, MR16, 4 circuits	5.0m x 5 x 2.5mm2	5.7	
	307-27884	C131-8-4	For 4 x 12V, MR16, 4 circuits,UL,cUL	15' / 4.5m x 16/7 AWG	4.6	
C131-3 & -4 + 14-2-9	307-27891	C131-9-1	For 3 x 240V, GU-10 , single circuit	5.0m x 3 x 1.5mm2	5.2	
	307-27901	C131-10-3	For 3 x 240V, GU-10 , 3 circuits	5.0m x 5 x 1.5mm2	5.2	
			ADD ON TO STANDARD FIXTURES			
	391-2001	+/-30-2	143mm Clear Flat Lens	See Catalog Page 310	0.1	
	391-2000	+/-35-2-?	143mm Flat Dichro Color Lens. Color ?	See Catalog Page 310	0.1	
	391-0114	+/- 14-2-9	143mm x 15mm Clear Flat Armored Lens	See Catalog Page 310	1.2	
	391-0431	+13-2	143mm LensGasket, Silicone Rubber	See Catalog Page 310	0.1	
	350-4164	+/-63	Surface Liner Clamp		2.3	
	350-4890	+/-58-09	Tile Mask		1.9	
	385-3330	T 301	Transformer 240V,50Hzx12V/24V,300VA	CE, IP23	2.2	
			FOR LIGHTFIXTURE MAINTENANCE PARTS SEE PAGES #10 & #11			