

SUBMERSIBLE LIGHTFIXTURE **PEM C21**

NICHE MOUNTED

FOR LAMP: (specify type of Lamp to be used)
Quartz Halogen, Not included.
MR16, GX 5.3 base, 12V, Max. 75 W, Aluminized Reflector
GU10, GZ10 base, 120 / 240V, Max. 50 W.

**CONSTRUCTION OF LIGHTFIXTURE & NICHE
 FIXTURE HOUSING:**

Fixture body is designed to permit water circulation within the niche when installed horizontally. The lightfixture is secured into the niche from the outside front of the facing.

The fixture and facing are of cast bronze body, Stainless Steel fitted. Sufficient cable length is to be stored inside the niche. (Up to approx. 0.6m / 2.0 feet to be stored within the niche for lifting of the fixture from the niche to above the water for re-lamping).

Maximum installation depth is to be 150mm / 6.0 inches below water level. Fixtures are tested for IPX8 rating of 1.0m / 3.0 feet water depth over lens.

PVC NICHE: 100 mm I.D., 115 mm O.D. x 205 mm Length

1/2" Inside Drain required for vertical installation

SEALED CONDUIT ENTRY INTO NICHE:

3/4" NPT - BSP conduit entry with cordseal as specified on opposite page

LAMP HOLDER: For MR16 Aluminized Reflector Lamp: (Specify!)
 Rim clamp & Bi Pin Socket GX 5.3.

LAMP HOLDER: For GU10 Lamp: (Specify)
 Rim clamp & Bi Pin Socket GZ10.

LENS : 80mm / 3.149" O.D. See Page 310
STANDARD: CONVEX FRESNEL LENS
 In clear or 5 colors

OPTIONAL :

CLEAR LENS, 14-1, without Fresnels for Spot Lights
 FLAT CLEAR LENS
 FLAT DICHRO COLOR LENS Choice of 10 colors.

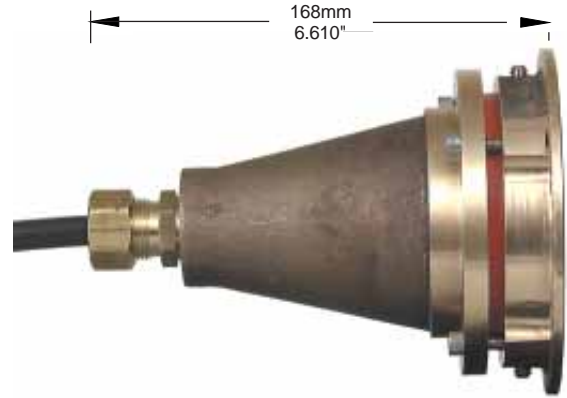
LENS GASKET: 'U' shape high temperature Silicon Rubber

ELECTRICAL CABLE: Approved for the purpose with integral epoxy encapsulated compression type cable entry in factory assembled fixtures.

See Page 308 & 309 for cable size & length.

OPTIONAL:

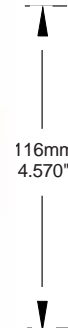
- 70 niche clamp for clamping of niche to concrete wall form. The clamping assist can be re-used .
- B60 Surface Liner clamp with bronze clamp ring and Stainless Steel clamp bolts.
- 68 DIN for in concrete Water Proofing Collar, Neoprene with Stainless Steel clamp.



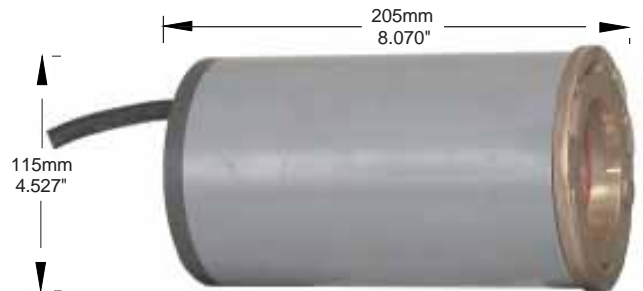
**PEM C21
 With Rockguard -10**



PEM C21



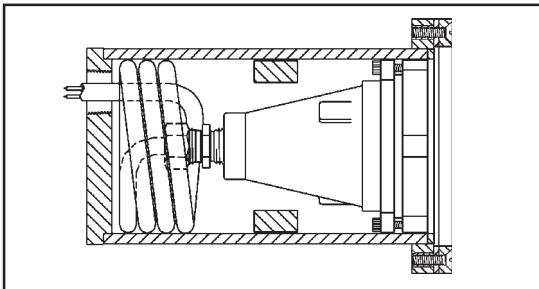
C21 + PVC NICHE



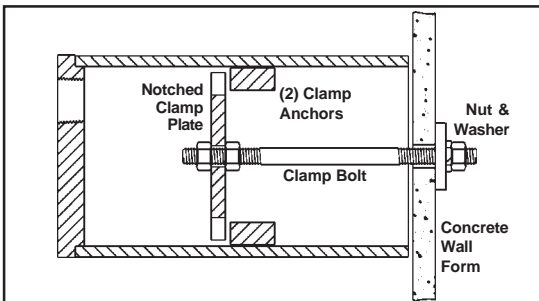
**C21 + PVC NICHE
 + 68, DIN W.P. COLLAR**



NICHE WITH B60 SURFACE LINER CLAMP

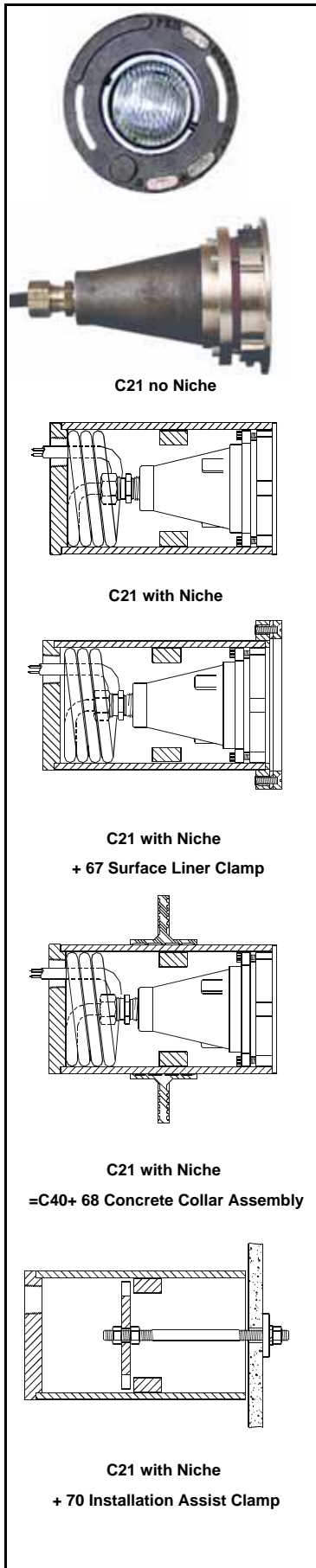


NICHE +70 INSTALLATION ASSIST



PEM C21

2006-10



SERIAL	PEM		CABLE	W.
306-30000	Cat.	FOR LAMPS AS INDICATED (Not included)	Length & Size	Kg
Select cable size to suit Lamp Wattage, Amperage				
Lightfixture only w. Convex Fresnel Lens, No Niche, No Cable				
For 12 V or 24V , MR16 Lamps				
306-31104	C21-1-04	With 1 Cordseal for 2 x 1.5mm ² Cable	No Cable	1.5
306-31105	C21-1-05	With 1 Cordseal for 2 x 2.5mm ² Cable	No Cable	1.5
306-31106	C21-1-06	With 1 Cordseal for 2 x 4mm ² Cable	No Cable	1.5
306-31107	C21-1-07	With 1 Cordseal for 2 x 6mm ² Cable	No Cable	1.5
For 120V / 230V, GU10 Lamps, No Niche				
306-31161	C21-1-61	With 1 Cordseal for 3 x 1.5mm ² Cable	No Cable	1.5
Lightfixture only w. Convex Fresnel Lens, No Niche, with Cable				
For 12 V or 24V , MR16 Lamps				
306-31114	C21-2-14	With 1 Cordseal & CABLE	2.7m x 2 x 1.5mm ²	2.1
306-31115	C21-2-15	With 1 Cordseal & CABLE	5.0m x 2 x 1.5mm ²	3.1
306-31116	C21-2-16	With 1 Cordseal & CABLE	2.7m x 2 x 2.5mm ²	2.1
306-31117	C21-2-17	With 1 Cordseal & CABLE	5.0m x 2 x 2.5mm ²	2.1
306-31118	C21-2-18	With 1 Cordseal & CABLE	5.0m x 2 x 4.0mm ²	2.8
306-31119	C21-2-19	With 1 Cordseal & CABLE	10.0m x 2 x 6.0mm ²	4.7
For 120V / 230V, GU10 Lamps, No Niche,with Cable				
306-31121	C21-2-21	With 1 Cordseal & CABLE	5.0m x 3 x 1.5mm ²	2.8
For MR 16, 12V or 24V Lamps, Lightfixture & PVC Niche, No Cable				
306-31126	C21-3-26	With Cord Seals for 2 x 1.5mm ² Cable	No Cable	1.5
For GU10 120V / 230V Lamps, Lightfixtures & PVC Niche, No Cable				
306-31128	C21-3-28	With Cord Seals for 2 x 1.5mm ² Cable	No Cable	1.5
For MR 16, 12V or 24V Lamps, Lightfixture & PVC Niche, with Cable				
306-31134	C21-4-34	With Cord & Niche Seals, Niche & CABLE	2.7m x 2 x 1.5mm ²	1.9
306-31135	C21-4-35	With Cord & Niche Seals, Niche & CABLE	5.0m x 2 x 1.5mm ²	3.1
306-31136	C21-4-36	With Cord & Niche Seals, Niche & CABLE	2.7m x 2 x 2.5mm ²	2.1
306-31137	C21-4-37	With Cord & Niche Seals, Niche & CABLE	5.0m x 2 x 2.5mm ²	2.1
306-31138	C21-4-38	With Cord & Niche Seals, Niche & CABLE	5.0m x 2 x 4.0mm ²	2.8
306-31139	C21-4-65	With Cord & Niche Seals, Niche & CABLE	9' 16/3 STWA/SOW	4.9
For GU10 120V / 230V Lamps, Lightfixtures & PVC Niche, with Cable				
306-31176	C21-4-76	With Cord & Niche Seals, Niche & CABLE	2.7m x 3 x 1.5mm ²	1.9
306-31177	C21-4-77	With Cord & Niche Seals, Niche & CABLE	5.0m x 3 x 1.5mm ²	3.1
ADD ON TO STANDARD FIXTURES				
391-0210	C21-10	FACERING WITH LENS GUARD		0.9
391-0220	+/-14-1B	80mm Convex Clear Lens, No Fresnels	Cat.Page 310,Web Index #6	0.1
391-0260	+/-30-1	80mm Flat Clear lens	Cat.Page 310,Web Index #6	0.1
391-0270	+/-35-1-00?	80mm Flat Dichro Color Lens.	Cat.Page 310,Web Index #6	0.1
350-0222	+67	Surface Pool Liner Clamp		0.9
350-0225	+68	DIN Concrete Collar Assembly		0.9
350-0227	+59-2	Tile Mask		0.3
350-0229	+ 70	Installation Assist Clamp		0.3
385-3330	T 301	Transformer,240V,50Hzx12V/24V,300VA	CE,IP23	2.2